



Brookstone®

---

# BIG BLUE UNPLUGGED™

WIRELESS INDOOR/OUTDOOR SPEAKER



## TABLE OF CONTENTS

Warnings and Cautions.....	1
FCC Information.....	6
Location of Parts and Controls.....	8
Charging the Speaker.....	10
Pairing Your Device.....	11
Pairing Your Device with NFC.....	13
Listening to Audio.....	14
Using Pair2 for Stereo or Left/Right Sound.....	16
Using the Speakerphone.....	19
LED Ring Off.....	20
Using Aux In.....	21
Reset.....	22
Care and Maintenance.....	22
Specifications.....	23
Troubleshooting.....	24
Warranty.....	28

## CAUTION

- TO REDUCE THE RISK OF ELECTRIC SHOCK, DO NOT REMOVE COVER.  
THERE ARE NO SERVICEABLE PARTS INSIDE.
- TO REDUCE THE RISK OF FIRE OR ELECTRIC SHOCK, DO NOT EXPOSE THIS UNIT TO RAIN OR MOISTURE.



The lightning flash with arrow-head symbol within an equilateral triangle is intended to alert the user to the presence of uninsulated “dangerous voltage” within the unit’s enclosure that may be of sufficient magnitude to constitute a risk of electric shock.



The exclamation point within an equilateral triangle is intended to alert the user to the presence of important operating and maintenance (servicing) instructions in the literature accompanying the unit.

## IMPORTANT SAFETY INSTRUCTIONS

All of the safety and operating instructions should be read, adhered to and followed before the unit is operated.

## **SAFETY AND HANDLING INFORMATION**

For maximum product life, do not drop, throw, or crush the speaker. Do not expose it to humidity, dust, or operating temperatures outside 25°F to 120°F (-4°C to 49°C).

## **SAVE THESE INSTRUCTIONS**

### **DANGER**

To reduce the risk of electric shock, burns, fire or injury:

1. Do not use while bathing or in a shower.
2. Do not place or store unit where it can fall or be pulled into a tub or sink.
3. Do not place in, drop or submerge in water or other liquid.
4. Do not reach for a unit that has fallen into water. Unplug it immediately.
5. Care should be taken so that objects do not fall and liquids are not spilled onto the unit.

## **LITHIUM-ION BATTERY WARNINGS**

This device contains a non-removable Lithium-Ion battery. The battery must be recycled or disposed of properly. Contact your local waste management office for information on battery recycling or disposal.

### **WARNING**

1. Close supervision is necessary when this appliance/ product is used by or near children or mentally disabled individuals.
2. Use this unit only for its intended use as described in this manual.
3. Unplug this unit during lightning storms or when unused for long periods of time.
4. Never drop or insert an object into any opening.
5. Protect the power cord from being walked on or pinched, particularly at plug outlets, convenience receptacles and the point where it exits the unit.
6. Do not allow cord to touch hot surfaces. Wrap cord loosely

around the unit when storing.

7. The unit should be situated away from direct sunlight or heat sources such as radiators, electric heaters, heat registers, stoves, or other units (including amplifiers) that produce heat. Avoid placing on top of stereo equipment that radiates heat.
8. Never block the air openings of the unit with materials such as clothing, plastic bags or papers, or place it on a soft surface such as a bed or couch, where the air openings may be blocked.
9. Do not overload the electrical outlet. Use only the power source as indicated.
10. Do not carry this unit by its cord or use the cord as a handle.
11. Never operate this unit if it has a damaged cord or plug, if it is not working properly, or if it has been dropped or damaged, or dropped into water. If the unit's power supply cord or plug is damaged, do not attempt to fix it yourself.
12. To avoid the risk of electric shock, do not disassemble or attempt to repair the unit. Incorrect repair can cause risk of

electric shock or injury to persons when the unit is used.

13. Do not operate in the presence of explosive and/or flammable fumes.
14. Never remove the plug from the outlet by pulling the power cord.

## FCC INFORMATION

This equipment has been tested and found to comply with the limits for a Class B Digital Device, pursuant to Part 15 of the FCC Rules. These limits are designed to provide reasonable protection against harmful interference in a residential installation. This equipment generates, uses, and can radiate radio frequency energy and, if not installed and used in accordance with the instructions, may cause harmful interference to radio communications. However, there is no guarantee that interference will not occur in a particular installation.

If this equipment does cause harmful interference to radio or television reception, which can be determined by turning the equipment off and on, the user is encouraged to try to correct the interference by one or more of the following measures:

- Reorient or relocate the receiving antenna.
- Increase the distance between the equipment and receiver.
- Connect the equipment to an outlet on a circuit different from that to which the receiver is connected.
- Consult the dealer or an experienced radio/TV technician

for help.

This equipment complies with Part 15 of the FCC Rules. Operation is subject to the following two conditions:

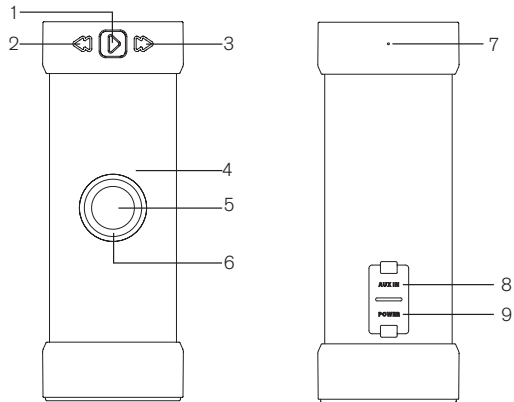
1. This equipment may not cause harmful interference.
2. This equipment must accept any interference received, including interference that may cause undesired operation.

Modifications not authorized by the manufacturer may void the user's authority to operate this device.

FCC ID: VL5-BBUNPLUGGED

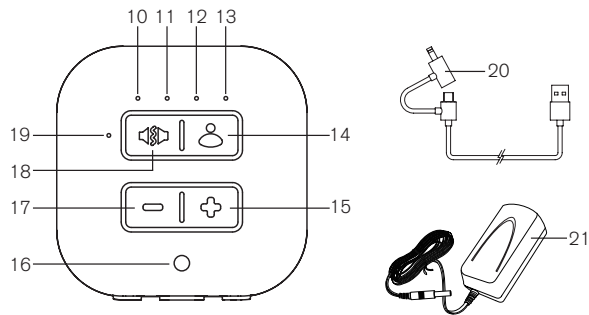
## LOCATION OF PARTS AND CONTROLS

1. Play/Pause Button
2. Track Back/Reject Call/  
End Call Button
3. Track Forward/Accept  
Call Button
4. Microphone
5. Power/Pairing Button
6. LED Ring
7. Charging LED
8. Aux In Port (under cover)
9. DC In Port (under cover)



## LOCATION OF PARTS AND CONTROLS

10. User 1 LED Indicator (Blue)
11. User 2 LED Indicator (Red)
12. User 3 LED Indicator (Green)
13. User 4 LED Indicator (Amber)
14. User Button
15. Volume + Button
16. NFC Sensor
17. Volume - Button
18. Pair2™ Button
19. Pair2™ LED  
Indicator
20. Micro USB Charging  
Cable with DC jack
21. DC Adapter



## CHARGING THE SPEAKER

1. The speaker can be charged two ways:
  - Lift the port cover and insert the DC ADAPTER into the DC IN PORT on the speaker. Plug the DC ADAPTER into an electrical wall outlet. The speaker will be fully charged in approximately 4 hours.
  - Lift the port cover and insert the MICRO USB CHARGING CABLE'S DC JACK into the DC IN PORT on the speaker. Plug the MICRO USB CHARGING CABLE'S USB connection into a travel USB adapter (5V, 1A or above) (not included). The speaker will be fully charged in approximately 7 hours.
2. The CHARGING LED INDICATOR is RED while the speaker is charging. When the speaker is fully charged, the CHARGING LED INDICATOR turns off. For first time use, fully charge the speaker.
3. When the speaker's battery is low, the CHARGING LED INDICATOR will flash RED.

## PAIRING YOUR DEVICE

1. Prepare your device to pair using Bluetooth® technology, making sure the device is within 33 feet of the speaker. Refer to your device's owners manual for details if necessary.
2. Press and hold the POWER/PAIRING BUTTON until the LED RING turns on and the power on tone sounds.
3. Press the USER BUTTON until the desired USER LED INDICATOR is illuminated. The USER LED INDICATOR will blink slowly if it has been previously paired with a device and then solid when the device is found, or it will flash rapidly indicating no device was previously paired to that User.
4. Press and hold the POWER/PAIRING BUTTON until the LED RING starts flashing to put the speaker in pairing mode.
5. Select "Big Blue Unplugged" on your device. If prompted, use 0000 as a PIN for the pairing code. The speaker will wait for a connection in pairing mode for up to 2 minutes.

6. When “Big Blue Unplugged” is selected, the LED RING will be solid blue, the pairing successful tone will sound to confirm pairing is complete, and the USER LED will be solid.

**Notes:**

- To cancel the pairing mode, either press the **POWER/PAIRING BUTTON**, a tone will sound and the speaker will turn off, or wait 2 minutes for the speaker to cancel pairing automatically. The LED RING will return to solid blue and the unit will remain on.
- The LED RING will dim and the USER LED INDICATOR will turn off after 5 seconds after pairing. Pressing any button will only activate the USER LED INDICATOR and LED RING at high brightness for 5 seconds. Press button again for operation.

## **PAIRING YOUR DEVICE WITH NFC**

1. Enable your device for NFC pairing. Refer to your device's owners manual for details if necessary.
2. Press the USER BUTTON until the desired USER LED INDICATOR is illuminated. The USER LED INDICATOR will blink slowly if it has been previously paired with a device and then solid when the device is found, or it will flash rapidly indicating no device was previously paired to that User.
3. Touch your device to the speaker's NFC SENSOR. Confirm the connection on your device. The USER LED will be solid.

**Note:** The LED RING will dim and the USER LED INDICATOR will turn off after 5 seconds after pairing. Pressing any button will only activate the USER LED INDICATOR and LED RING at high brightness for 5 seconds. Press button again for operation.



## **LISTENING TO AUDIO**

1. Press and hold the POWER/PAIRING BUTTON until the LED RING turns on and the power on tone sounds.
2. Press the USER BUTTON until the desired USER LED INDICATOR is illuminated. The USER LED INDICATOR will blink slowly if it has been previously paired with a device and then solid when the device is found, or it will flash rapidly indicating no device was previously paired to that User.
3. The speaker will automatically remember the last paired device for each User. Depending on your device, "Big Blue Unplugged" may need to be selected in your device's menu.
4. Press the VOLUME + BUTTON to increase audio volume.
5. Press the VOLUME - BUTTON to decrease audio volume.
6. Press the PLAY/PAUSE BUTTON to pause audio. Press the PLAY/PAUSE BUTTON to play audio.
7. Press the TRACK FORWARD BUTTON to go to the next track. Press and hold the TRACK FORWARD BUTTON to forward within a track.
8. Press the TRACK BACK BUTTON to go to the previous track. Press and hold the TRACK BACK BUTTON to move backward within a track.
9. To turn the speaker off, press the POWER BUTTON. The power off tone will sound.

## USING Pair2 FOR STEREO OR LEFT/RIGHT SOUND

Two Big Blue Unplugged™ speakers can be paired for stereo or left/right sound. Identify which speaker will be the **Main speaker** and which speaker will be the **Auxiliary speaker** as your device only needs to pair with the **Main speaker**.

1. Pair your device (see page 11) with the **Main speaker**.
2. Press the POWER/PAIRING BUTTON on the **Auxiliary speaker** until the LED RING turns on and the power on tone sounds.

**Note:** Do not put the **Auxiliary speaker** into device pairing mode.

3. Press the Pair2 BUTTON on the **Main speaker** (the speaker that is paired with your device). The Pair2 LED INDICATOR will start flashing and audio will pause on the **Main speaker**. The **Main speaker** will wait for a Pair2 connection for up to 2 minutes.
4. Press and hold the Pair2 BUTTON on the **Auxiliary speaker** until the Pair2 LED INDICATOR starts flashing

on the **Auxiliary speaker**.

5. Release the Pair2 BUTTON on the **Auxiliary speaker**.
6. After a few seconds, the Pair2 LED INDICATORS on both the **Main Speaker** and the **Auxiliary speaker** will be solid, the Pair2 stereo tone will sound on each speaker, and the speakers will be in stereo mode.
7. Press the PLAY/PAUSE BUTTON on either speaker to resume audio.
8. To put the speakers in left/right mode, press and hold the Pair2 BUTTON on the **Main speaker** or the **Auxiliary speaker** until the Pair2 left and right tones sound on each speaker. To put the speakers back into stereo mode, press and hold the Pair2 BUTTON on the **Main speaker** or the **Auxiliary speaker** until the Pair2 stereo tones sound on each speaker.
9. To exit out of Pair2 stereo or left/right modes, power either speaker off by pressing the POWER BUTTON.

Notes:

- To cancel Pair2 pairing mode, either press the POWER/

PAIRING BUTTON on the Main speaker, a tone will sound and the speaker will turn off, or wait 2 minutes for the Main speaker to cancel pairing automatically. The LED RING will return to solid blue and the unit will remain on.

- The LED RING will dim and the Pair2 LED INDICATOR will turn off after 5 seconds after pairing. Pressing any button will only activate the Pair2 LED INDICATOR and LED RING at high brightness for 5 seconds. Press button again for operation.

## USING THE SPEAKERPHONE

When the speaker is paired to a device and a call is received, the incoming call tone will sound.

If there is audio playing through the speaker when a call is answered, the audio will pause and only the call will be audible. When the call is ended, audio will resume.

- To answer an incoming call press the TRACK FORWARD/ACCEPT CALL BUTTON.
- To reject an incoming call press the TRACK BACKWARD/REJECT CALL BUTTON.
- To end an active call press the TRACK END/REJECT CALL BUTTON.
- To switch an active call from the speaker to your device press and the TRACK FORWARD/ACCEPT CALL BUTTON twice.
- To switch an active call from your device to the speaker press the TRACK FORWARD/ACCEPT CALL BUTTON twice.

## LED RING OFF

The LED RING can only be turned off if there is a device paired with the speaker.

1. To turn the LED RING off, press and hold the VOLUME + and VOLUME - BUTTONS for 2 seconds.
2. To turn the LED RING on, press and hold the VOLUME + and VOLUME - BUTTONS for 2 seconds.

**Note:** Pressing any button will activate the LED RING at high brightness for 5 seconds.

## USING AUX IN

1. Plug one end of a 3.5mm-to-3.5mm cable (not included) into your audio device, just like you would a pair of headphones.
2. Lift the cover and plug the other end of the cable into the unit's AUX IN port.
3. Use your audio device to control music playback.
4. Use your audio device and the speaker to control volume.

**Note:** If a device is currently paired with Bluetooth®, the wired device takes precedence over a Bluetooth® device connection.

## RESET

Press and hold the Pair2 BUTTON and USER BUTTON for 5 seconds to perform a reset. The speaker will reset and power off.

## CARE AND MAINTENANCE

Big Blue Unplugged is water resistant. Do not submerge in water.

To clean, wipe the speaker with a soft, dry cloth.

The Bluetooth® word mark and logos are registered trademarks owned by Bluetooth SIG, Inc. and any use of such marks by Brookstone is under license.

© Brookstone 2015

## SPECIFICATIONS

Power Supply (input)	AC 100V~240V, 50/60 Hz
Power Supply (output)	DC 15V, 2A
Power Output	.16W (3W per channel, 10W subwoofer)
Range	Class 2, up to 33 ft (10 m)
Speaker	1.5" Full Range (x2), 2" Passive Radiator (x2), 2" Subwoofer (x1)
Frequency Response	80Hz~20KHz
Compatibility	Bluetooth 2.0 or above with A2DP/AVRCP/HFP/HSP
Li-ion Rechargeable Battery	7.4V, 2600 mAh
Battery Life	Approx. 7 hours
Charging Time	Approx. 4 hours
Weight	Approx. 1.7lbs
Dimensions	2.93"(w) x 2.93"(d) x 7.94"(h)

## TROUBLESHOOTING

ISSUE	SOLUTION
Bluetooth® disconnection.	Ensure your device is within 33 feet of the speaker and reconnect your device to "Big Blue Unplugged."
Audio is not clear.	Power the speaker off and then back on. Adjust your device's equalizer. Check the speaker or your device's volume level.
Speaker does not play audio.	Make sure the speaker is charged. Power the speaker off and then back on. Confirm device is paired to desired User. Another device in the area may have auto-paired to the speaker. Re-pair device to desired user, see page 11 for pairing instructions.

## TROUBLESHOOTING (CONTINUED)

ISSUE	SOLUTION
Can not pair with NFC.	Confirm your device has NFC capability by referring to your device's owners manual.
Can not put speakers into Pair2 mode.	Confirm your device is paired to the Main speaker. Please refer to page 11 for pairing instructions. Confirm there is not a previous device paired to the Auxiliary speaker. Confirm both the Main and Auxiliary speaker are in Pair2 connection mode. Please refer to page 16 for Pair2 connection instructions. Confirm the Auxiliary speaker is not in device pairing mode (LED RING flashing).

## TROUBLESHOOTING (CONTINUED)

ISSUE	SOLUTION
Can not put speakers into Pair2 mode (continued).	The Pair2 LED INDICATOR will turn off after 5 seconds of no buttons pressed. If the Pair2 LED INDICATOR is off, press the Pair2 BUTTON once on the <b>Main speaker</b> to activate the Pair2 LED INDICATOR then press the Pair2 BUTTON on the <b>Main speaker</b> again to activate Pair2 search mode.
Can not switch speakers between stereo or left/right in Pair2 mode.	Confirm you are pressing and holding the Pair2 BUTTON on the <b>Main speaker</b> or the <b>Auxiliary speaker</b> until the Pair2 stereo or left and right tones sound on each speaker.

## TROUBLESHOOTING (CONTINUED)

ISSUE	SOLUTION
Can not switch speakers between stereo or left/right in Pair2 mode (continued).	The Pair2 LED INDICATOR will turn off after 5 seconds of no buttons pressed. If the Pair2 LED INDICATOR is off, press the Pair2 BUTTON once to activate the Pair2 LED INDICATOR and then press and hold the Pair2 BUTTON on the <b>Main speaker</b> or the <b>Auxiliary speaker</b> until the Pair2 stereo or left and right tones sound on each speaker.
Can not turn off LED Ring.	The LED RING can only be turned off if there is a device paired with the speaker. See page 11 for pairing instructions.

## ONE (1) YEAR LIMITED WARRANTY

Big Blue Audio LLC warrants this product against defects in materials and/or workmanship under normal use for a period of ONE (1) YEAR from the date of purchase by the original purchaser ("Warranty Period"). If a defect arises and a valid claim is received within the Warranty Period, at its option, Big Blue Audio will either 1) repair the defect at no charge, using new or refurbished replacement parts, or 2) replace the product with a new product that is at least functionally equivalent to the original product, or 3) provide a store credit in the amount of the purchase price of the original product. A replacement product or part, including a user-installable part installed in accordance with instructions provided by Big Blue Audio, assumes the remaining warranty of the original product. When a product or part is exchanged, any replacement item becomes your property and the replaced item becomes Big Blue Audio's property. When a store credit is given, the original product must be returned to Big Blue Audio and becomes Big Blue Audio's property.

**Obtaining Service:** To obtain warranty service, call Big Blue Audio Limited Warranty Service at 866-577-8955. Please be prepared to describe the product that needs service and the nature of the problem. A purchase receipt is required. All repairs and replacements must be authorized in advance. Service options, parts availability and response times will vary. You are responsible for delivery and the cost of delivery of the product or any parts to the authorized service center for replacement, per our instructions.

**Limits and Exclusions:** Coverage under this Limited Warranty is limited to the United States of America, including the District of Columbia and the U.S. Territories of Guam, Puerto Rico, and the U.S. Virgin Islands. This Limited Warranty applies only to products manufactured for Big Blue Audio that can be identified by the "Big Blue Audio" trademark, trade name, or logo affixed to them or their packaging. The Limited

Warranty does not apply to any non-Big Blue Audio products. Manufacturers or suppliers other than Big Blue Audio may provide their own warranties to the purchaser, but Big Blue Audio, in so far as permitted by law, provides these products "as is." This warranty does not apply to: a) damage caused by failure to follow instructions relating to product's use or the installation of components; b) damage caused by accident, abuse, misuse, fire, floods, earthquake or other external causes; c) damage caused by service performed by anyone who is not a representative of Big Blue Audio; d) accessories used in conjunction with a covered product; e) a product or part that has been modified to alter functionality or capability; f) items intended to be periodically replaced by the purchaser during the normal life of the product including, without limitation, batteries or light bulbs; g) any product sold "as is" including, without limitation, floor demonstration models and refurbished items; or h) a product that is used commercially or for a commercial purpose.

**BIG BLUE AUDIO SHALL NOT BE LIABLE FOR INCIDENTAL OR CONSEQUENTIAL DAMAGES RESULTING FROM THE USE OF THIS PRODUCT, OR ARISING OUT OF ANY BREACH OF THIS WARRANTY. TO THE EXTENT PERMITTED BY APPLICABLE LAW, BIG BLUE AUDIO DISCLAIMS ANY AND ALL STATUTORY OR IMPLIED WARRANTIES, INCLUDING, WITHOUT LIMITATION, WARRANTIES OF MERCHANTABILITY, FITNESS FOR A PARTICULAR PURPOSE AND WARRANTIES AGAINST HIDDEN OR LATENT DEFECTS. IF BIG BLUE AUDIO CANNOT LAWFULLY DISCLAIM STATUTORY OR IMPLIED WARRANTIES, THEN TO THE EXTENT PERMITTED BY LAW, ALL SUCH WARRANTIES SHALL BE LIMITED IN DURATION TO THE DURATION OF THIS EXPRESS WARRANTY.**

Some states disallow the exclusion or limitation of incidental or consequential damages or how long an implied warranty lasts, so the above exclusions or limitations may not apply to you. This warranty gives you specific legal rights and you may also have other rights, which vary from state to state.



Find thousands more  
great ideas online

**Brookstone®**

861194

Merrimack, New Hampshire, USA 03054 • 800-846-3000 • [Brookstone.com](http://Brookstone.com)