



Brookstone®

Grill Light Pro

SHED SOME LIGHT ON YOUR NEXT MEAL

TABLE OF CONTENTS

Warnings and Cautions.....	1
FCC Information.....	4
Location of Parts and Controls.....	6
Installing the Batteries.....	8
Mounting the LED Grill Light.....	8
Using the LED Grill Light.....	9
Using the Grill Timer.....	10
Care and Maintenance.....	11
Specifications.....	11
Warranty.....	12

IMPORTANT SAFETY INSTRUCTIONS

All of the safety and operating instructions should be read, adhered to and followed before the unit is operated.

SAVE THESE INSTRUCTIONS

WARNING

1. Close supervision is necessary when this unit is used by or near children or mentally disabled individuals.
2. Use this unit only for its intended use as described in this manual.

BATTERY PRECAUTIONS

1. Dispose of the old batteries properly. Do not dispose of the old batteries in a fire.
2. Do not leave the batteries where a child or pet could play with or swallow them. If the batteries are swallowed, contact a physician immediately.
3. The batteries may explode if mistreated. Do not attempt to recharge or disassemble the batteries.
4. Use only fresh batteries of the required size and type.

FCC INFORMATION

This device complies with Part 15 of the FCC Rules. Operation is subject to the following two conditions:

- 1) This device may not cause harmful interference.
- 2) This device must accept any interference received including interference that may cause undesired operation.

WARNING: Changes or modifications to this unit not expressly approved by the party responsible for compliance could void the user's authority to operate the equipment.

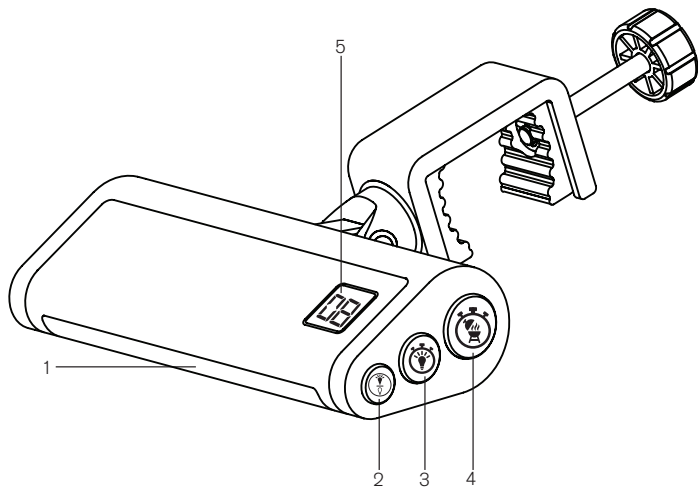
Note: This equipment has been tested and found to comply with the limits for a Class B digital device, pursuant to Part 15 of the FCC Rules. These limits are designed to provide reasonable protection against harmful interference in a residential installation. This unit generates, uses and can radiate radio frequency energy and if not installed and used in accordance with the instructions, may cause harmful interference to radio communications. However, there is no guarantee that interference will not occur in a particular installation. If this equipment does cause harmful interference to radio or television reception, which can be determined by turning the equipment off and on, the user is encouraged to try and correct the interference by one or more of the following measures:

- Reorient or relocate the receiving antenna.
- Increase the separation between the equipment and receiver.
- Connect the equipment to an outlet on a circuit different from that to which the receiver is connected.
- Consult the dealer or an experienced radio/TV technician for help.

WARNING: To comply with FCC's RF radiation exposure limits for general population/uncontrolled exposure, the antenna(s) used for this transmitter must be installed to provide a separation distance of at least 20 cm from all persons and must not be collocated or operating in conjunction with any other antenna or transmitter.

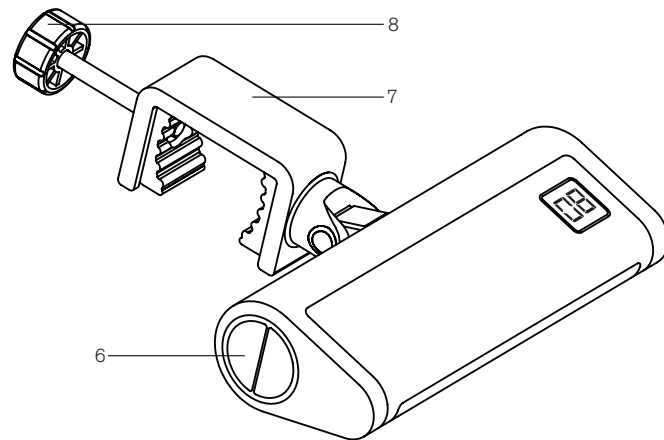
LOCATION OF PARTS AND CONTROLS

1. LED Grill Light
2. Grill Light On/Off Button
3. Grill Light Timer Button
4. Grill Timer Button
5. Grill Timer LCD



LOCATION OF PARTS AND CONTROLS

6. Battery Cover
7. Mounting Clamp
8. Mounting Clamp Knob



INSTALLING THE BATTERIES

1. Turn the BATTERY COVER counter clock-wise to unlock and remove.
2. Insert 3 AA batteries (included) according to polarity indicators.
3. Replace the BATTERY COVER and turn clockwise until secure.

MOUNTING THE LED GRILL LIGHT

1. Open the MOUNTING CLAMP by turning the MOUNTING CLAMP KNOB counter clock-wise.
2. Place the MOUNTING CLAMP over your grill handle or the lip of a nearby side table.
3. Tighten the MOUNTING CLAMP by turning the MOUNTING CLAMP KNOB clockwise and secure it in place.
4. Move the LED Grill Light up and down or rotate side to side to adjust the angle of the light.

Notes:

- Do not place the LED Grill Light within two feet of the exposed cooking surface.
- Do not mount the LED Grill Light on a surface that can become hot to the touch.

USING THE LED GRILL LIGHT

1. Press the GRILL LIGHT ON/OFF BUTTON to turn the LED GRILL LIGHT on.
2. Press the GRILL LIGHT ON/OFF BUTTON to turn the LED GRILL LIGHT off.
3. Press the GRILL LIGHT TIMER BUTTON to turn the LED GRILL LIGHT on for 6 minutes. After 6 minutes have passed, the LED GRILL LIGHT will turn off automatically.

Notes:

- The LED GRILL LIGHT will automatically turn off after 90 minutes if it was turned on with the GRILL LIGHT ON/OFF BUTTON.
- To turn the LED GRILL LIGHT off if it was turned on with the GRILL LIGHT TIMER BUTTON, press the GRILL LIGHT ON/OFF BUTTON.

USING THE GRILL TIMER

1. Press the GRILL TIMER BUTTON to turn the GRILL TIMER on. "00" will show on the LCD.
2. Press the GRILL TIMER BUTTON to increase the GRILL TIMER in one minute increments. The GRILL TIMER can be set in one minute increments up to 20 minutes. After 20 minutes, the GRILL TIMER increases in 5 minute increments and can be set up to 90 minutes.
3. Once the GRILL TIMER is set, the time will begin to countdown. When the GRILL TIMER expires, the LCD will show "--", a beep will sound, and the LED lights and LCD backlight will flash for one minute.
4. Press the GRILL TIMER BUTTON to turn the beep off, return the LED lights to their previous state, return the LCD backlight to solid and reset the GRILL TIMER to "00."
5. To reset the LCD to "00" at any time, press and hold the GRILL TIMER BUTTON until the LCD shows "00."

Note: When the LCD shows "00," the GRILL TIMER will automatically turn off after one minute.

CARE AND MAINTENANCE

- Wipe with a damp cloth to clean. Do not use alcohol-based or harsh abrasives.
- Do not submerge in water.

SPECIFICATIONS

Power Supply.....	3 AA batteries
Dimensions (with mounting clamp) ...	7.8"w (200mm) x 2"d (51.5mm) x 9.7"h (248mm)
Weight9 lbs (418g) (approximately)
Water Resistance	Splash Resistant

ONE (1) YEAR LIMITED WARRANTY

Brookstone® warrants this product against defects in materials and/or workmanship under normal use for a period of ONE (1) YEAR from the date of purchase by the original purchaser (“Warranty Period”). If a defect arises and a valid claim is received within the Warranty Period, at its option, Brookstone will either 1) repair the defect at no charge, using new or refurbished replacement parts, or 2) replace the product with a new product that is at least functionally equivalent to the original product, or 3) provide a store credit in the amount of the purchase price of the original product. A replacement product or part, including a user-installable part installed in accordance with instructions provided by Brookstone, assumes the remaining warranty of the original product. When a product or part is exchanged, any replacement item becomes your property and the replaced item becomes Brookstone’s property. When a store credit is given, the original product must be returned to Brookstone and becomes Brookstone’s property.

Obtaining Service: To obtain warranty service, call Brookstone Limited Warranty Service at 1-800-292-9819. Please be prepared to describe the product that needs service and the nature of the problem. A purchase receipt is required. All repairs and replacements must be authorized in advance. Service options, parts availability and response times will vary. You are responsible for delivery and the cost of delivery of the product or any parts to the authorized service center for replacement, per our instructions.

Limits and Exclusions: Coverage under this Limited Warranty is limited to the United States of America, including the District of Columbia and the U.S. Territories of Guam, Puerto Rico, and the U.S. Virgin Islands. This Limited Warranty applies only to products manufactured for Brookstone that can be identified by the “Brookstone” trademark, trade name, or logo affixed to them or their packaging. The Limited Warranty does not apply to any non-Brookstone products. Manufacturers or

suppliers other than Brookstone may provide their own warranties to the purchaser, but Brookstone, in so far as permitted by law, provides these products “as is.” This warranty does not apply to: a) damage caused by failure to follow instructions relating to product’s use or the installation of components; b) damage caused by accident, abuse, misuse, fire, floods, earthquake or other external causes; c) damage caused by service performed by anyone who is not a representative of Brookstone; d) accessories used in conjunction with a covered product; e) a product or part that has been modified to alter functionality or capability; f) items intended to be periodically replaced by the purchaser during the normal life of the product including, without limitation, batteries or light bulbs; g) any product sold “as is” including, without limitation, floor demonstration models and refurbished items; or h) a product that is used commercially or for a commercial purpose.

BROOKSTONE SHALL NOT BE LIABLE FOR INCIDENTAL OR CONSEQUENTIAL DAMAGES RESULTING FROM THE USE OF THIS PRODUCT, OR ARISING OUT OF ANY BREACH OF THIS WARRANTY. TO THE EXTENT PERMITTED BY APPLICABLE LAW, BROOKSTONE DISCLAIMS ANY AND ALL STATUTORY OR IMPLIED WARRANTIES, INCLUDING, WITHOUT LIMITATION, WARRANTIES OF MERCHANTABILITY, FITNESS FOR A PARTICULAR PURPOSE AND WARRANTIES AGAINST HIDDEN OR LATENT DEFECTS. IF BROOKSTONE CANNOT LAWFULLY DISCLAIM STATUTORY OR IMPLIED WARRANTIES, THEN TO THE EXTENT PERMITTED BY LAW, ALL SUCH WARRANTIES SHALL BE LIMITED IN DURATION TO THE DURATION OF THIS EXPRESS WARRANTY.

Some states disallow the exclusion or limitation of incidental or consequential damages or how long an implied warranty lasts, so the above exclusions or limitations may not apply to you. This warranty gives you specific legal rights and you may also have other rights, which vary from state to state.

Find thousands more
great ideas online

Brookstone[®]

321037

Merrimack, New Hampshire, USA 03054 • 800-846-3000 • Brookstone.com