



Brookstone®

Cat Ear Headphones

THE PURRFECT WAY TO ENJOY YOUR MUSIC—OR SHARE WITH FRIENDS

TABLE OF CONTENTS

Warnings and Cautions.....	1
FCC Information	5
ICES Information	7
Location of Parts and Controls.....	8
Charging the Cat Ear Headphones.....	12
Using the Cat Ear Headphones.....	13
Care and Maintenance	14
Specifications.....	15
Warranty	16

CAUTION

- TO REDUCE THE RISK OF ELECTRIC SHOCK, DO NOT REMOVE COVER.
THERE ARE NO SERVICEABLE PARTS INSIDE.
- TO REDUCE THE RISK OF FIRE OR ELECTRIC SHOCK, DO NOT EXPOSE THIS UNIT TO RAIN OR MOISTURE.



The lightning flash with arrow-head symbol within an equilateral triangle is intended to alert the user to the presence of uninsulated “dangerous voltage” within the unit’s enclosure that may be of sufficient magnitude to constitute a risk of electric shock.



The exclamation point within an equilateral triangle is intended to alert the user to the presence of important operating and maintenance (servicing) instructions in the literature accompanying the unit.

IMPORTANT SAFETY INSTRUCTIONS

All of the safety and operating instructions should be read, adhered to and followed before the unit is operated.

SAFETY AND HANDLING INFORMATION

For maximum product life, do not drop, throw, or crush. Do not expose to humidity, dust, or operating temperatures outside 25°F to 120°F (-4°C to 49°C).

SAVE THESE INSTRUCTIONS

DANGER

To reduce the risk of electric shock, burns, fire or injury:

1. Do not use while bathing or in a shower.
2. Do not place or store unit where it can fall or be pulled into a tub or sink.
3. Do not place, drop or submerge in water or other liquid.
4. Do not reach for a unit that has fallen into water. Unplug it immediately.
5. Care should be taken so that objects do not fall and liquids are not spilled onto the unit.

LITHIUM-ION BATTERY WARNINGS

This device contains a non-removable Lithium-Ion battery. The battery must be recycled or disposed of properly. Contact your local waste management office for information on battery recycling or disposal.

WARNING

1. Close supervision is necessary when this appliance/product is used by or near children or mentally disabled individuals.
2. Use this unit only for its intended use as described in this manual.
3. Unplug this unit during lightning storms or when unused for long periods of time.
4. Never drop or insert an object into any opening.
5. Protect the power cord from being walked on or pinched, particularly at plug outlets, convenience receptacles and the point where it exits the unit.
6. Do not allow cord to touch hot surfaces. Wrap cord loosely around the unit when storing.

7. The unit should be situated away from direct sunlight or heat sources such as radiators, electric heaters, heat registers, stoves, or other units (including amplifiers) that produce heat. Avoid placing on top of stereo equipment that radiates heat.
8. Do not overload the electrical outlet. Use only the power source as indicated.
9. Do not carry this unit by its cord or use the cord as a handle.
10. Never operate this unit if it has a damaged cord or plug, if it is not working properly, or if it has been dropped or damaged, or dropped into water. If the unit's power supply cord or plug is damaged, do not attempt to fix it yourself.
11. To avoid the risk of electric shock, do not disassemble or attempt to repair the unit. Incorrect repair can cause risk of electric shock or injury to persons when the unit is used.
12. Do not operate in the presence of explosive and/or flammable fumes.
13. Never remove the plug from the outlet by pulling the power cord.

FCC INFORMATION

Caution: Changes or modifications not expressly approved by the party responsible for compliance could void the user's authority to operate the equipment.

This equipment has been tested and found to comply with the limits for a Class B Digital Device, pursuant to Part 15 of the FCC Rules. These limits are designed to provide reasonable protection against harmful interference in a residential installation. This equipment generates, uses, and can radiate radio frequency energy and, if not installed and used in accordance with the instructions, may cause harmful interference to radio communications. However, there is no guarantee that interference will not occur in a particular installation.

If this equipment does cause harmful interference to radio or television reception, which can be determined by turning the equipment off and on, the user is encouraged to try to correct the interference by one or more of the following measures:

- Reorient or relocate the receiving antenna.
- Increase the distance between the equipment and receiver.

- Connect the equipment to an outlet on a circuit different from that to which the receiver is connected.
- Consult the dealer or an experienced radio/TV technician for help.

This equipment complies with Part 15 of the FCC Rules.

Operation is subject to the following two conditions:

1. This equipment may not cause harmful interference.
2. This equipment must accept any interference received, including interference that may cause undesired operation.

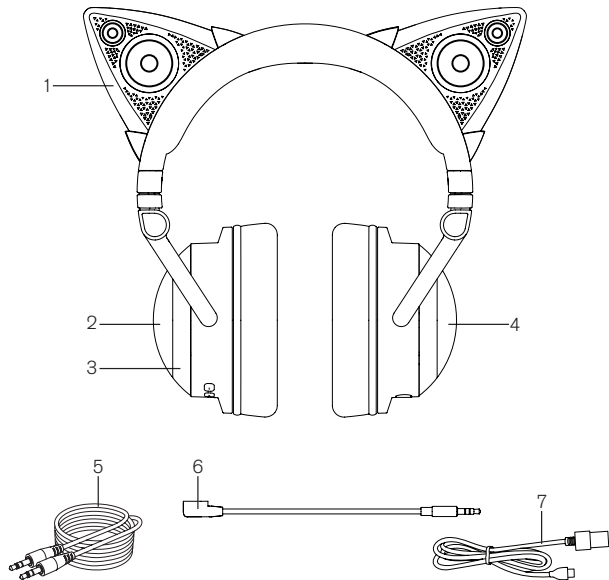
Modifications not authorized by the manufacturer may void the user's authority to operate this device.

ICES INFORMATION

This Class B digital apparatus complies with Canadian ICES-003.

Cet appareil numérique de la classe B est conforme à la norme NMB-003 du Canada.

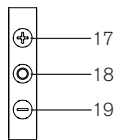
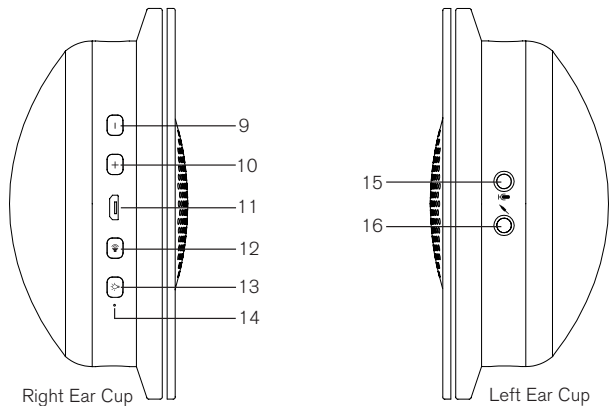
LOCATION OF PARTS AND CONTROLS



LOCATION OF PARTS AND CONTROLS

1. Speaker with LEDs (2)
2. Right Earcup
3. Earcup LEDs (2)
4. Left Earcup
5. 3.5mm to 3.5mm Headphone Cord with Control Panel
6. Microphone
7. Micro USB Charging Cable

LOCATION OF PARTS AND CONTROLS



Headphone Cord Control Panel

LOCATION OF PARTS AND CONTROLS

9. Volume - Button
10. Volume + Button
11. Micro USB Input
12. Speakers On/Off Button
13. LEDs On/Off Button
14. Charging LED
15. Microphone Input
16. Headphone Cord Input
17. Volume + Button
18. Play/Pause/Track Forward/Track Back Button: Press once to Play/Pause audio. Press twice in quick succession to move one track forward. Press three times in quick succession to move one track backward.
19. Volume - Button

CHARGING THE CAT EAR HEADPHONES

1. Use the included MICRO USB CHARGING CABLE to charge the headphones with a USB adapter (5V, 1A or above) (not included). The headphones will be fully charged in approximately 2.5 hours.
2. The RED CHARGING LED INDICATOR slowly flashes while the headphones are charging and is solid when the headphones are fully charged.
3. When the headphones' battery is low, the RED CHARGING LED INDICATOR will rapidly flash.

USING THE CAT EAR HEADPHONES

- Insert the 3.5MM to 3.5MM HEADPHONE CORD into the HEADPHONE CORD INPUT with the VOLUME + BUTTON on the CONTROL PANEL facing up and the other end into an audio device.
- Insert the MICROPHONE into the MICROPHONE INPUT.
Note: An adapter may be needed depending on your game system.
- To conserve battery life, turn off LEDs and SPEAKERS when not in use.

CARE AND MAINTENANCE

Unplug and spot clean with a soft, dry cloth.

SPECIFICATIONS

Power Output (Headphones)	.240mW
Power Output (Speakers)	.2W
Headphones	40mm driver
Speakers	32mm driver
Frequency Response (Headphones)	20Hz~20KHz
Li-ion Rechargeable Battery	3.7V, 1000 mAh
Battery Life (Headphones and Speakers)	Up to 5 hours
Charging Time	Approx. 2.5 hours
Weight	Approx. 413g
Dimensions	171.48mm(w) x 70mm(d) x 193.98mm(h)

© Brookstone 2015

ONE (1) YEAR LIMITED WARRANTY

Brookstone® warrants this product against defects in materials and/or workmanship under normal use for a period of ONE (1) YEAR from the date of purchase by the original purchaser ("Warranty Period"). If a defect arises and a valid claim is received within the Warranty Period, at its option, Brookstone will either 1) repair the defect at no charge, using new or refurbished replacement parts, or 2) replace the product with a new product that is at least functionally equivalent to the original product, or 3) provide a store credit in the amount of the purchase price of the original product. A replacement product or part, including a user-installable part installed in accordance with instructions provided by Brookstone, assumes the remaining warranty of the original product. When a product or part is exchanged, any replacement item becomes your property and the replaced item becomes Brookstone's property. When a store credit is given, the original product must be returned to Brookstone and becomes Brookstone's property.

Obtaining Service: To obtain warranty service, call Brookstone Limited Warranty Service at 1-800-292-9819. Please be prepared to describe the product that needs service and the nature of the problem. A purchase receipt is required. All repairs and replacements must be authorized in advance. Service options, parts availability and response times will vary. You are responsible for delivery and the cost of delivery of the product or any parts to the authorized service center for replacement, per our instructions.

Limits and Exclusions: Coverage under this Limited Warranty is limited to the United States of America, including the District of Columbia and the U.S. Territories of Guam, Puerto Rico, and the U.S. Virgin Islands. This Limited Warranty applies only to products manufactured for Brookstone that can be identified by the "Brookstone" trademark, trade name, or logo affixed to them or their packaging. The Limited Warranty does not apply to any non-Brookstone products. Manufacturers or suppliers other than Brookstone may provide their own warranties to the purchaser, but Brookstone, in so far as permitted by law, provides these products "as is."

This warranty does not apply to: a) damage caused by failure to follow instructions relating to product's use or the installation of components; b) damage caused by accident, abuse, misuse, fire, floods, earthquake or other external causes; c) damage caused by service performed by anyone who is not a representative of Brookstone; d) accessories used in conjunction with a covered product; e) a product or part that has been modified to alter functionality or capability; f) items intended to be periodically replaced by the purchaser during the normal life of the product including, without limitation, batteries or light bulbs; g) any product sold "as is" including, without limitation, floor demonstration models and refurbished items; or h) a product that is used commercially or for a commercial purpose.

BROOKSTONE SHALL NOT BE LIABLE FOR INCIDENTAL OR CONSEQUENTIAL DAMAGES RESULTING FROM THE USE OF THIS PRODUCT, OR ARISING OUT OF ANY BREACH OF THIS WARRANTY. TO THE EXTENT PERMITTED BY APPLICABLE LAW, BROOKSTONE DISCLAIMS ANY AND ALL STATUTORY OR IMPLIED WARRANTIES, INCLUDING, WITHOUT LIMITATION, WARRANTIES OF MERCHANTABILITY, FITNESS FOR A PARTICULAR PURPOSE AND WARRANTIES AGAINST HIDDEN OR LATENT DEFECTS. IF BROOKSTONE CANNOT LAWFULLY DISCLAIM STATUTORY OR IMPLIED WARRANTIES, THEN TO THE EXTENT PERMITTED BY LAW, ALL SUCH WARRANTIES SHALL BE LIMITED IN DURATION TO THE DURATION OF THIS EXPRESS WARRANTY.

Some states disallow the exclusion or limitation of incidental or consequential damages or how long an implied warranty lasts, so the above exclusions or limitations may not apply to you. This warranty gives you specific legal rights and you may also have other rights, which vary from state to state.

Find thousands more
great ideas online

Brookstone®

990634 990635 990636 990637

Merrimack, New Hampshire, USA 03054 • 800-846-3000 • Brookstone.com