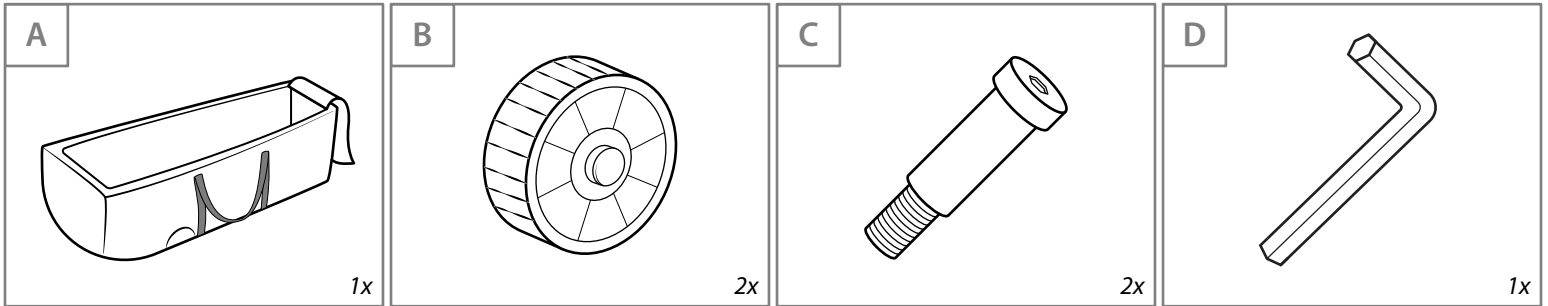


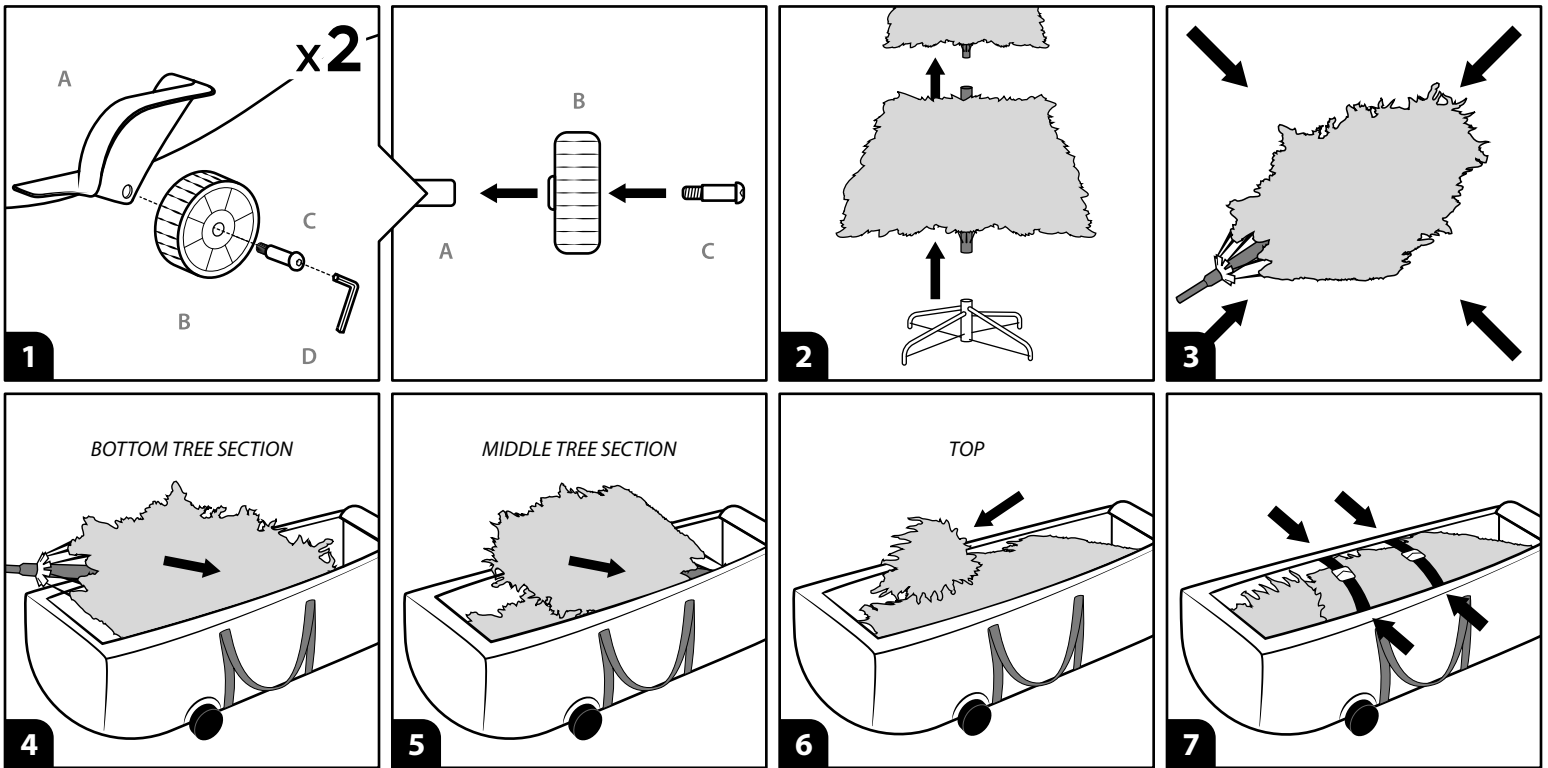
**IMPORTANT, RETAIN FOR FUTURE REFERENCE: READ CAREFULLY**

For assistance with assembly, replacement parts or to activate your warranty:  
[www.vlcreplacementparts.com](http://www.vlcreplacementparts.com) | [www.TreeKeeperBags.com](http://www.TreeKeeperBags.com) | [Support@VillageLighting.com](mailto:Support@VillageLighting.com)  
 Intended for indoor use

*Please lay out all parts prior to assembly or installation. Read instructions prior to assembly or installation.*



## ASSEMBLY INSTRUCTIONS



## 6 - 9 FT ARTIFICIAL HINGED TREES

