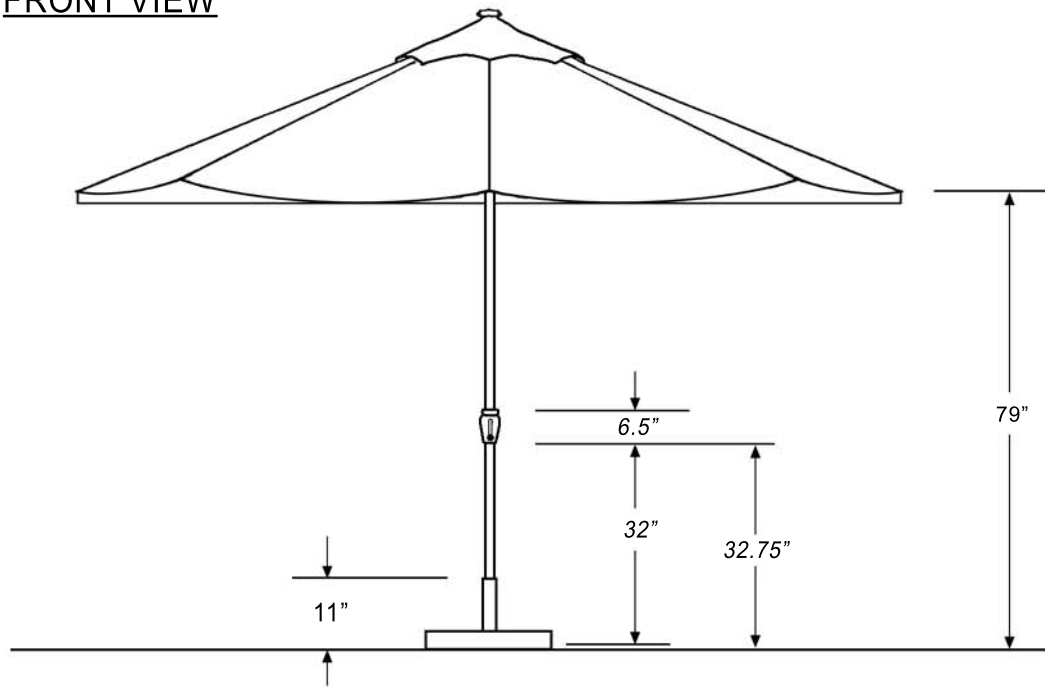
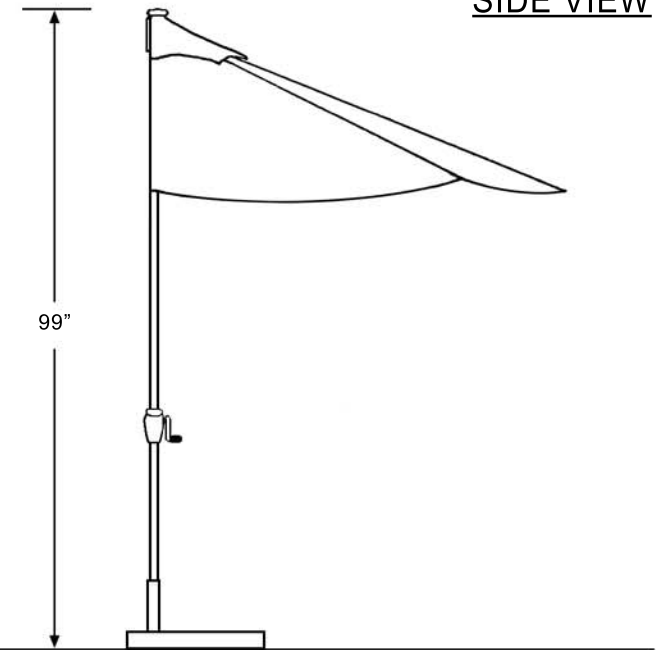


9 Ft. OFF-THE-WALL BRELLA® - (Cat. No. OTWB9) // SHOWN WITH CUSTOM CAST BASE - (CCB-2)

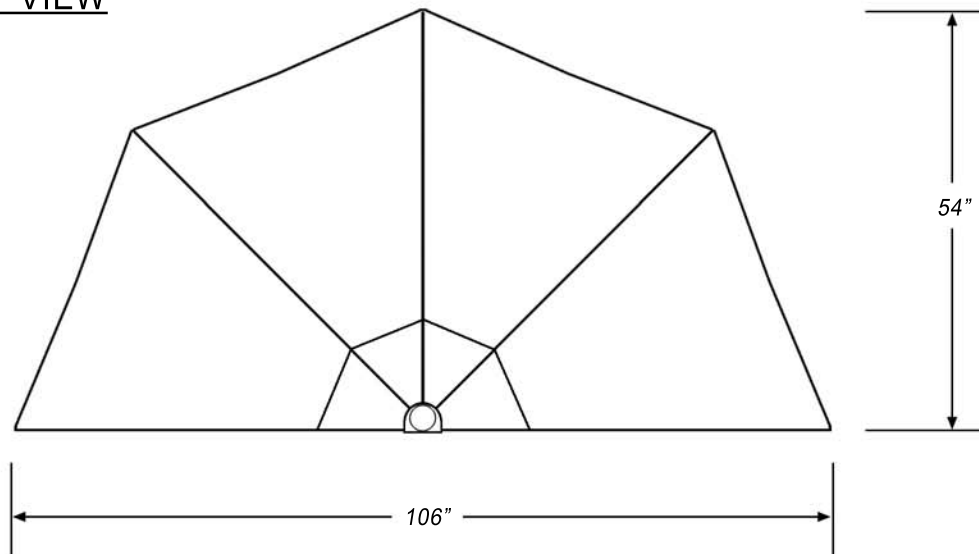
FRONT VIEW



SIDE VIEW



TOP VIEW



- Aluminum Frame
- Powder Coat Finish
- 1½" O.D. Pole
- Crank Lift Canopy
- Champagne Color
- Finial
- Wall Bumper

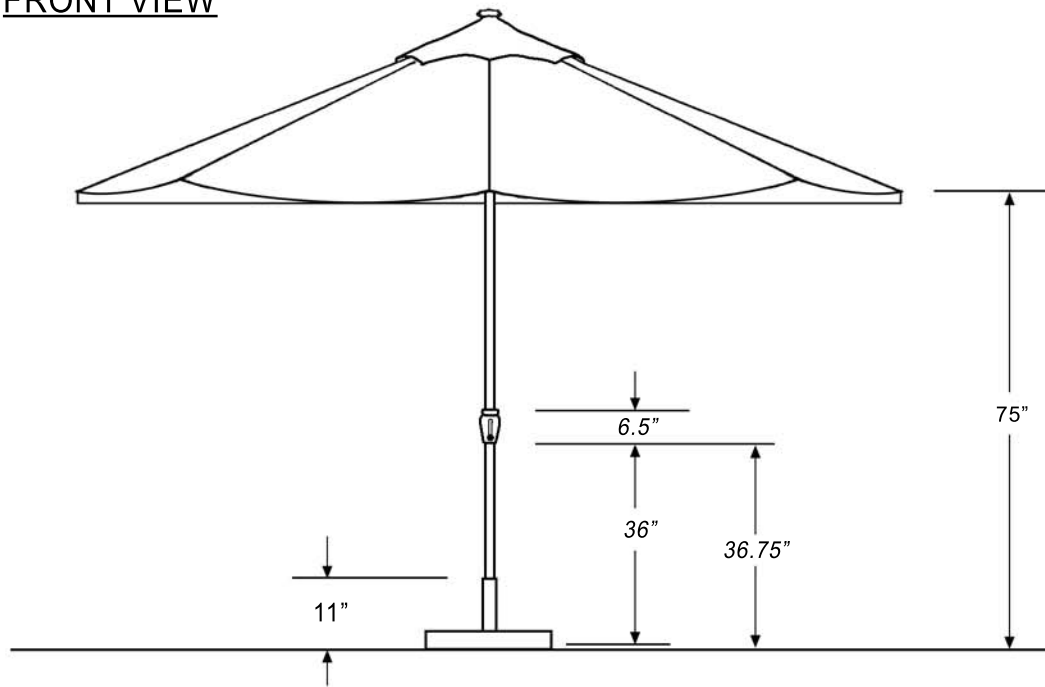


(800) 293-2323

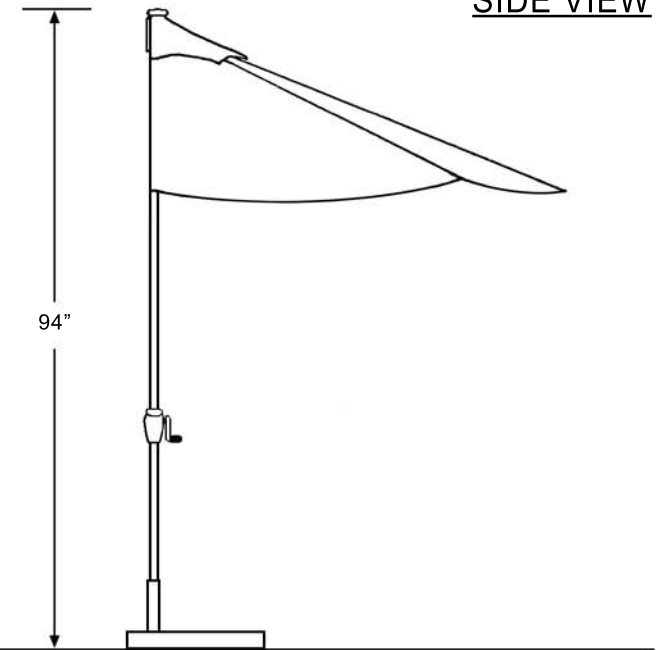
www.BlueStarGroup.BIZ

7.5 Ft. OFF-THE-WALL BRELLA® - (Cat. No. OTWB7) // SHOWN WITH CUSTOM CAST BASE - (CCB-2)

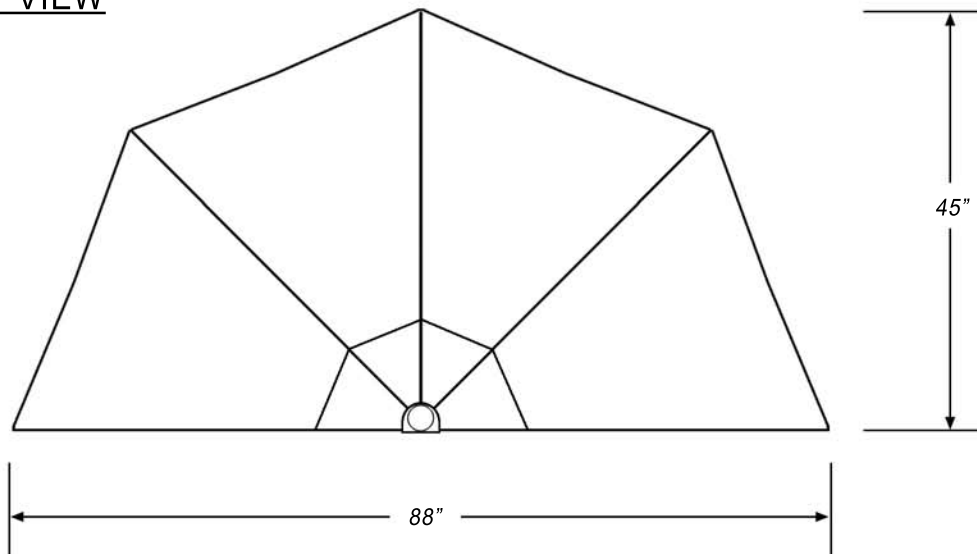
FRONT VIEW



SIDE VIEW



TOP VIEW



- Aluminum Frame
- Powder Coat Finish
- 1½" O.D. Pole
- Crank Lift Canopy
- Champagne Color
- Finial
- Wall Bumper

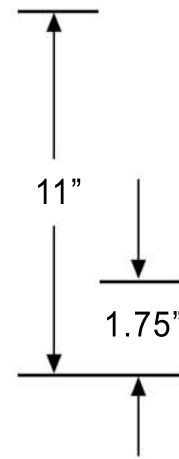
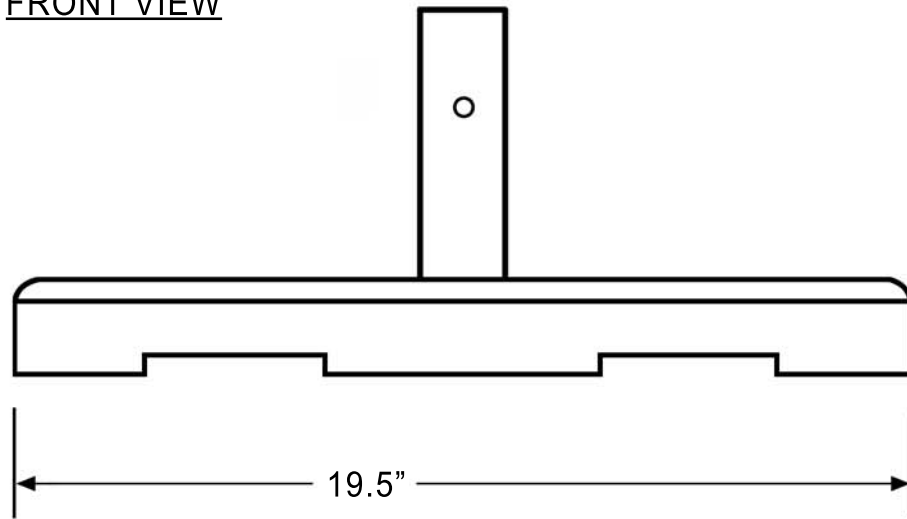


(800) 293-2323

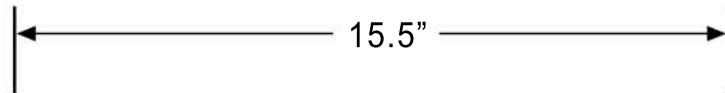
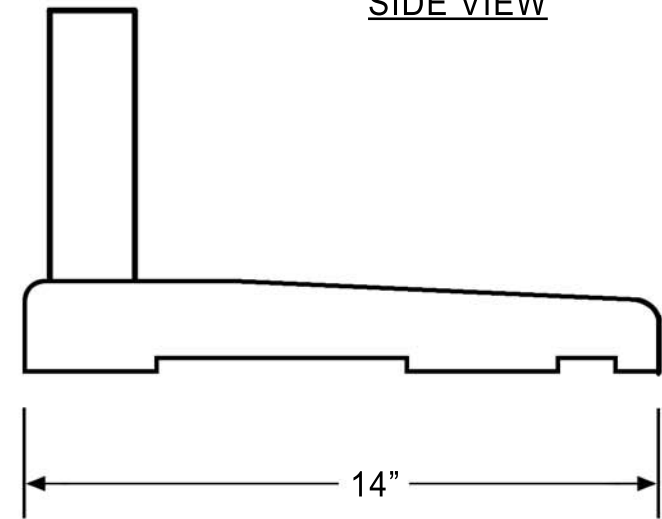
www.BlueStarGroup.BIZ

CUSTOM CAST BASE - (Cat. No. CCB-2)

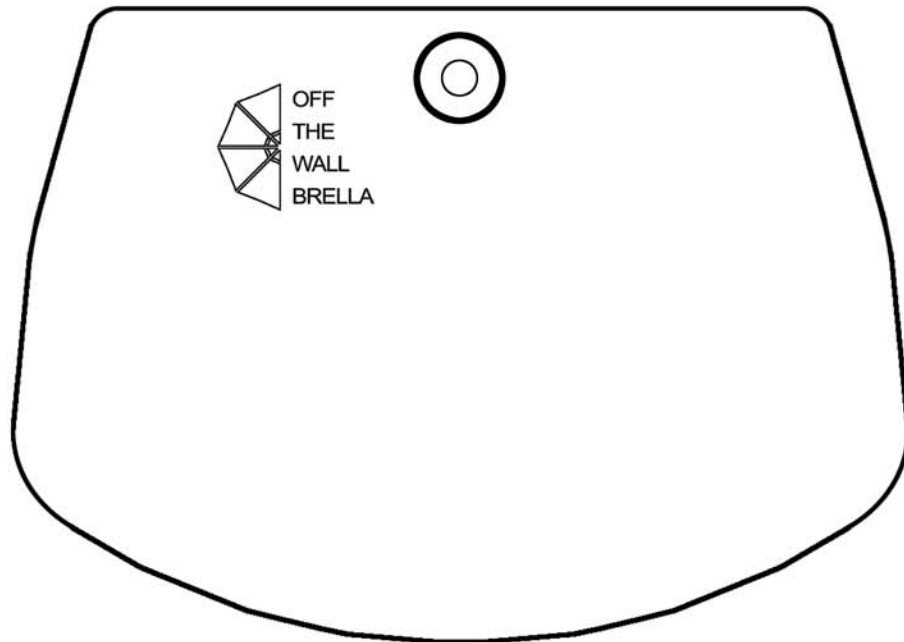
FRONT VIEW



SIDE VIEW



TOP VIEW



- 40 Pound Weight
- Cast Iron
- Powder Coat Finish
- Champagne Color
- Stand Tube
- Pole Cinch Knob
- Three (3) Level Adjusters and Wrench



(800) 293-2323

www.BlueStarGroup.BIZ