

Brookstone®

Buzz & Glow™ Vibration
Massager and Light



TABLE OF CONTENTS

Warnings and Cautions	1
Location of Parts and Controls	8
Using the Massager.....	9
Charging.....	10
Care and Maintenance	11
Specifications.....	11
Warranty	12

SAVE THESE INSTRUCTIONS IMPORTANT SAFETY INSTRUCTIONS

Read all instructions before using.

When using an electrical appliance, basic precautions should always be followed.



To reduce the risk of electric shock, burns, fire or injury:

1. Always unplug this massager from the USB port immediately after charging.
2. Do not use wet hands to connect to or disconnect from the USB port.
3. Do not place or store unit where it can fall or be pulled into a tub or sink.
4. Never use pins or other metallic fasteners with this appliance.
5. Carefully examine the covering before each use. Discard the appliance if there are any signs of deterioration such as cracking or blistering.

WARNING

TO REDUCE THE RISK OF BURNS, FIRE, ELECTRIC SHOCK, OR INJURY TO PERSONS:

1. Close supervision is necessary when this appliance is used near children, invalids or disabled individuals.
2. An appliance should never be left unattended while plugged in. Unplug when not in use.
3. Use this massager only for its intended use as described in this manual. Do not use attachments not recommended by manufacturer.
4. For adult use only.
5. Consult your physician before using this massager.
6. Do not use while walking or driving.
7. Individuals with symptoms like inflammation, blood stasis or have undergone hand operation should not use this product.
8. **IMPORTANT:** Any individual who may: be pregnant or recently gave birth, has a heart condition or a pacemaker, suffers from diabetes or other sensory impairment, phlebitis and/or thrombosis, joint dysfunction, inflammation or injuries, weak bones, osteoporosis, a high fever, an abnormal or curved spine, is at an increased risk of developing blood clots, has pins/screws/artificial joints or other medical devices implanted in his/her body, is being treated for a medical condition or physical injury or is under a doctor's care should consult with a medical professional before using a massaging device designed for home use.
9. This product is not intended for self-treatment of conditions that should be managed by a qualified health care provider.
10. Do not use the product if you are not feeling well.
11. The massager is designed as a non-professional massager to soothe tired and aching muscles. It is not intended to be a substitute for medical attention. If your ailments and symptoms persist or worsen after use, contact your physician immediately.
12. Do not use the massager in combination with other therapeutic equipment or electric blanket, etc., as this may result in ineffectiveness or injury.
13. Do not charge the massager during lightning storms.
14. Never drop or insert an object into any opening.
15. Protect the USB cable from being walked on or pinched.

16. Keep USB cable away from heated surfaces.
17. Do not use massager in close proximity to loose clothing or jewelry.
18. Do not use on an infant or invalid or on a sleeping or unconscious person.
19. Do not use on insensitive skin or on a person with poor blood circulation.
20. The unit should be situated away from direct sunlight or heat sources such as radiators, electric heaters, heat registers, stoves, or other units.
21. Never block the air openings of the unit with materials such as hair, plastic bags or papers, or place it on a soft surface such as a bed, where the air openings may be blocked. Keep the air openings free of lint, hair and the like.
22. Use only the provided battery and cable.
23. Do not carry by USB cable or use USB cable as handle.
24. Do not crush—avoid sharp folds.
25. Never operate this unit if it has a damaged cord or plug, if it is not working properly, or if it has been dropped or damaged, or dropped into water. If the unit's power supply cable or plug is damaged, do not attempt to fix it yourself.
26. To avoid the risk of electric shock, do not disassemble or attempt to repair the unit. Incorrect repair can cause risk of electric shock or injury to persons when unit is used.
27. This product is intended for household use only. Do not use this unit outdoors.
28. Do not operate where aerosol (spray) products are being used or where oxygen is being administered.
29. Do not operate in the presence of explosive and/or flammable fumes.
30. Never remove the Micro USB cable from the port by pulling on the cable.
31. Stop operation immediately if you experience any discomfort.
32. The product is not intended for use by children or persons with reduced physical, sensory or mental capabilities, or lack of experience and knowledge, unless they have been given supervision or instruction concerning use of the product by a person responsible for their safety.
33. Do not operate for more than 20 minutes continuously. It is recommended to turn off the massager and allow it to rest (cool) for 40 minutes before re-using. This will prolong the life of the massager.

34. Children should be supervised to ensure that they do not play with the product.
35. Never use the massager on open skin eruptions, swollen or inflamed areas.
36. Do not operate after taking pain killers, sedatives or alcohol.
37. Remove all scarves, neckties, necklaces and jewelry before using this massager.
38. Do not operate under blanket or pillow. Excessive heating can occur and cause fire, electric shock or injury to persons.

LITHIUM-POLYMER BATTERY WARNING

This device contains a Lithium-Polymer battery. The battery must be recycled or disposed of properly. Contact your local waste management office for information on battery recycling or disposal.

Use only the supplied cable to recharge the battery. Improper charging may damage the battery and the device.

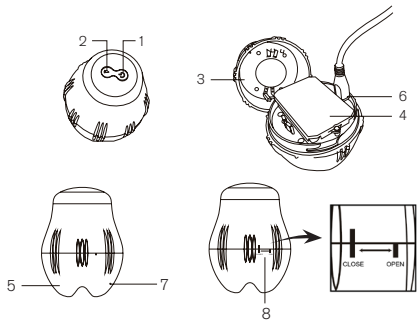
Do not attempt to open the rechargeable battery or battery pack. There are no serviceable parts inside.

Keep the battery out of reach of children. If swallowed, consult a physician immediately.

Do not dispose of battery in a fire as it may explode. The battery may also explode if damaged. (BC)

LOCATION OF PARTS AND CONTROLS

1. ⏻ On/Off button for massage
2. 💡 On/Off button for light
3. Battery cover
4. Battery case
5. Massage Nodes with LED lights
6. Micro USB charging cable (included)
7. Charging indicator light
8. Alignment Markings



USING THE MASSAGER

1. Push the ⏻ On/Off Button for Massager (1) to start massager.
2. Use the massager to relieve tension and relax tired muscles by pressing the massage nodes against different areas of your body.
3. Push the 💡 On/Off button for Light (2) to activate the LED lights. The massager has eight internal LED lights and can be used as a countertop light.



Spot Treatment
Massage



Rolling Vibration
Massage



Countertop
Light

CHARGING

1. Twist the battery cover (3) counterclockwise and lift to remove the battery cover.
2. Connect the included Micro USB cable to the Micro USB charging port and connect to a USB power source, such as a laptop, to recharge the installed battery.
3. The charging indicator light will illuminate when charging. The light will turn off when fully charged in approximately 1.5 hours.
4. When fully charged, remove the micro USB cable. Close the battery cover, using the alignment markings to properly align the cover, and twist clockwise.

CARE AND MAINTENANCE

Clean the massager with a soft, damp cloth. DO NOT submerge in liquid or clean with an alcohol or chemical-based cleaner.

SPECIFICATIONS

Power	2W
Rated DC Voltage	3.7V (Lithium-Polymer)
Lithium Polymer Battery.....	500 mAh
Dimensions.....	Approx. 2.75 x 2.75 x 3.5 in. (70 x 70 x 89 mm)
Weight, with Battery and Cable.....	Approx. 6 oz (170g)
Charging Time.....	Approx. 1.5 hours
Continuous Run Time.....	Up to 2 hours

ONE (1) YEAR LIMITED WARRANTY

Brookstone® warrants this product against defects in materials and/or workmanship under normal use for a period of ONE (1) YEAR from the date of purchase by the original purchaser ("Warranty Period"). If a defect arises and a valid claim is received within the Warranty Period, at its option, Brookstone will either 1) repair the defect at no charge, using new or refurbished replacement parts, or 2) replace the product with a new product that is at least functionally equivalent to the original product, or 3) provide a store credit in the amount of the purchase price of the original product. A replacement product or part, including a user-installable part installed in accordance with instructions provided by Brookstone, assumes the remaining warranty of the original product. When a product or part is exchanged, any replacement item becomes your property and the replaced item becomes Brookstone's property. When a store credit is given, the original product must be returned to Brookstone and becomes Brookstone's property.

Obtaining Service: To obtain warranty service, call Brookstone Limited Warranty Service at 1-800-292-9819. Please be prepared to describe the product that needs service and the nature of the problem. A purchase receipt is required. All repairs and replacements must be authorized in advance. Service options, parts availability and response times will vary. You are responsible for delivery and the cost of delivery of the product or any parts to the authorized service center for replacement, per our instructions.

Limits and Exclusions: Coverage under this Limited Warranty is limited to the United States of America, including the District of Columbia and the U.S. Territories of Guam, Puerto Rico, and the U.S. Virgin Islands. This Limited Warranty applies only to products manufactured for Brookstone that can be identified by the "Brookstone" trademark, trade name, or logo affixed to them or their packaging. The Limited Warranty does not apply to any non-Brookstone products. Manufacturers or suppliers other than Brookstone may provide their own warranties to the purchaser,

but Brookstone, in so far as permitted by law, provides these products "as is." This warranty does not apply to: a) damage caused by failure to follow instructions relating to product's use or the installation of components; b) damage caused by accident, abuse, misuse, fire, floods, earthquake or other external causes; c) damage caused by service performed by anyone who is not a representative of Brookstone; d) accessories used in conjunction with a covered product; e) a product or part that has been modified to alter functionality or capability; f) items intended to be periodically replaced by the purchaser during the normal life of the product including, without limitation, batteries or light bulbs; g) any product sold "as is" including, without limitation, floor demonstration models and refurbished items; or h) a product that is used commercially or for a commercial purpose.

BROOKSTONE SHALL NOT BE LIABLE FOR INCIDENTAL OR CONSEQUENTIAL DAMAGES RESULTING FROM THE USE OF THIS PRODUCT, OR ARISING OUT OF ANY BREACH OF THIS WARRANTY. TO THE EXTENT PERMITTED BY APPLICABLE LAW, BROOKSTONE DISCLAIMS ANY AND ALL STATUTORY OR IMPLIED WARRANTIES, INCLUDING, WITHOUT LIMITATION, WARRANTIES OF MERCHANTABILITY, FITNESS FOR A PARTICULAR PURPOSE AND WARRANTIES AGAINST HIDDEN OR LATENT DEFECTS. IF BROOKSTONE CANNOT LAWFULLY DISCLAIM STATUTORY OR IMPLIED WARRANTIES, THEN TO THE EXTENT PERMITTED BY LAW, ALL SUCH WARRANTIES SHALL BE LIMITED IN DURATION TO THE DURATION OF THIS EXPRESS WARRANTY.

Some states disallow the exclusion or limitation of incidental or consequential damages or how long an implied warranty lasts, so the above exclusions or limitations may not apply to you. This warranty gives you specific legal rights and you may also have other rights, which vary from state to state.

Find thousands more
great ideas online

Brookstone®

321932, 321933, 321934, 321936

© 2017 Brookstone

Rev 1

Brookstone.com | 1-800-846-3000
1 Innovation Way, Merrimack, NH 03054