

# Brookstone®

---

## Towel Warmer

MAKE EVERYDAY A SPA DAY



## TABLE OF CONTENTS

Warnings and Cautions.....	1
FCC Information.....	4
Location of Parts and Controls.....	6
Set Up.....	7
Using the Towel Warmer.....	8
Selecting the Timer.....	9
Frequently Asked Questions.....	10
Care and Maintenance.....	11
Specifications.....	11
Warranty.....	12

## CAUTION

- TO REDUCE THE RISK OF ELECTRIC SHOCK, DO NOT REMOVE COVER. THERE ARE NO SERVICEABLE PARTS INSIDE.
- TO REDUCE THE RISK OF FIRE OR ELECTRIC SHOCK, DO NOT EXPOSE THIS UNIT TO RAIN OR MOISTURE.



The lightning flash with arrow-head symbol within an equilateral triangle is intended to alert the user to the presence of uninsulated “dangerous voltage” within the unit’s enclosure that may be of sufficient magnitude to constitute a risk of electric shock.



The exclamation point within an equilateral triangle is intended to alert the user to the presence of important operating and maintenance (servicing) instructions in the literature accompanying the unit.

## IMPORTANT SAFETY INSTRUCTIONS

All of the safety and operating instructions should be read, adhered to and followed before the unit is operated.

## FOR HOUSEHOLD USE ONLY

## SAVE THESE INSTRUCTIONS

## WARNING

To reduce the risk of electric shock, burns, fire or injury:

1. Always unplug the unit from the electrical outlet immediately after using.
2. Do not use this appliance for anything other than its intended use.
3. Do not place or store the unit where it can fall or be pulled into a tub or sink.
4. Do not place in or drop into water or other liquid.
5. Do not reach for a unit that has fallen into water. Unplug it immediately.
6. Care should be taken so that objects do not fall into and liquids are not spilled onto the unit.
7. This unit should never be left unattended when plugged in.
8. Close supervision is necessary when this unit is used near children or disabled persons.
9. Use this unit only for its intended use as described in this manual.
10. Never operate this unit if it has a damaged cord or plug, if it is not working properly, or if it has been dropped, damaged or dropped in water.
11. Keep cords away from heated surfaces. Do not wrap the cord around the exterior of the appliance or let the cord hang over table or counter edge.
12. Do not use outdoors.
13. Do not alter the safety plug or use an extension cord with this device.
14. Do not operate with a voltage converter.
15. Do not touch hot surfaces.
16. Do not use accessory attachments not recommended by the manufacturer as this may cause injuries.

## POLARIZED PLUG

To reduce the risk of electric shock, this appliance has a polarized plug (one blade is wider than the other). This plug will fit in a polarized outlet only one way. If the plug does not fit fully in the outlet, reverse the plug. If it still does not fit, contact a qualified electrician to install the proper outlet. Do not change the plug in any way.

## FCC INFORMATION

**Caution:** Changes or modifications not expressly approved by the party responsible for compliance could void the user's authority to operate the equipment.

This device complies with Part 15 of the FCC Rules. Operation is subject to the following two conditions:

- 1) This device may not cause harmful interference.
- 2) This device must accept any interference received including interference that may cause undesired operation.

**WARNING:** Changes or modifications to this unit not expressly approved by the party responsible for compliance could void the user's authority to operate the equipment.

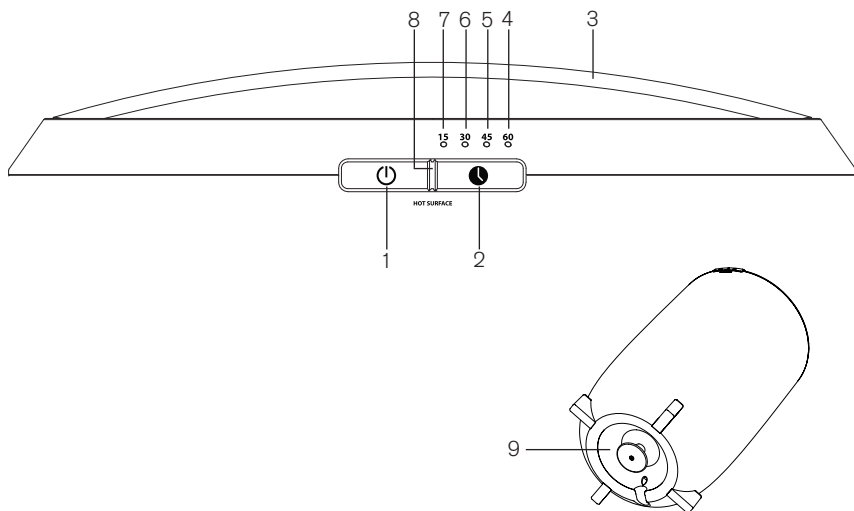
**Note:** This equipment has been tested and found to comply with the limits for a Class B digital device, pursuant to Part 15 of the FCC Rules. These limits are designed to provide reasonable protection against harmful interference in a residential installation. This unit generates, uses and can radiate radio frequency energy and if not installed and used in accordance with the instructions, may cause harmful interference to radio communications. However, there is no guarantee that interference will not occur in a particular installation. If this equipment does cause harmful interference to radio or television reception, which can be determined by turning the equipment off and on, the user is encouraged to try and correct the interference by one or more of the following measures:

- Reorient or relocate the receiving antenna.
- Increase the separation between the equipment and receiver.

- Connect the equipment to an outlet on a circuit different from that to which the receiver is connected.
- Consult the dealer or an experienced radio/TV technician for help.

## LOCATION OF PARTS AND CONTROLS

1. Power Button
2. Timer Button
3. Lid
4. 60-Minute LED Indicator
5. 45-Minute Timer LED Indicator
6. 30-Minute Timer LED Indicator
7. 15-Minute Timer LED Indicator
8. Hot Surface Caution LED Indicator
9. Cord Wrap



## SET UP

1. Remove the LID and remove any contents.
2. Place the Towel Warmer on a dry, level, hard surface.
3. Insert the Ground Fault Safety Plug into a standard 120V AC outlet.
4. Press the red reset button on the Ground Fault Safety Plug. This is located on the plug at the end of the power cord.

## USING THE TOWEL WARMER

The Towel Warmer will warm two bath sheets measuring approximately 40" x 70". For best results, use 100% cotton or cotton blend towels.

1. Insert the power cord into an electrical outlet.
2. Remove the LID and place your dry towel(s) inside.
3. Replace the LID.
4. Press and hold the POWER BUTTON until the TIMER LED INDICATOR turns on. The last used TIMER LED INDICATOR is blue, indicating the Towel Warmer is preheating (default timer setting is 15 minutes).
5. When the Towel Warmer has reached the optimal heating temperature, the TIMER LED INDICATOR turns red. To ensure the towel is fully heated, you may want to leave the towel in the Towel Warmer for a few minutes after the TIMER LED INDICATOR turns red.
6. The Towel Warmer will continue to maintain the optimal heating temperature for the remainder of the timer setting (timer starts to countdown when TIMER LED INDICATOR turns red).
7. Press the POWER BUTTON to turn the Towel Warmer off. The Towel Warmer will automatically turn off after the selected timer setting has expired.

### Notes:

- The red HOT SURFACE CAUTION LED INDICATOR light will turn on to indicate the inside surfaces of the Towel Warmer are hot to the touch. Handle the Towel Warmer carefully when the red HOT SURFACE CAUTION LED INDICATOR is on. The HOT SURFACE CAUTION LED INDICATOR light will turn off when the Towel Warmer has cooled down.

- Condensation on the LID is normal.
- Do not use the Towel Warmer to dry wet items. Only place dry items in the Towel Warmer.
- Only use the Towel Warmer to warm fabrics.

## SELECTING THE TIMER

1. When the Towel Warmer is powered on, press the TIMER BUTTON to select the 15-minute timer.
2. Press the TIMER BUTTON again to select the 30-minute timer.
3. Press the TIMER BUTTON again to select the 45-minute timer.
4. Press the TIMER BUTTON again to select the 60-minute timer.

## FREQUENTLY ASKED QUESTIONS

Why won't my Towel Warmer turn on?

*Make sure the Towel Warmer is properly plugged into a wall outlet. Be sure the Ground Fault Plug is functioning properly.*

Why is my Towel Warmer taking a long time to reach optimal heating temperature?

*Be sure to only use dry towels; using damp towels will greatly extend the preheating cycle.*

## CARE AND MAINTENANCE

Remove the power cord from the electrical outlet before cleaning. Wipe with a dry cloth.

## SPECIFICATIONS

Rated Voltage .....	120V AC
Frequency .....	60Hz
Wattage Max .....	480W
Weight .....	Approx. 8 lbs.
Dimensions .....	21" (h) x 12" (w) x 12" (d)

## ONE (1) YEAR LIMITED WARRANTY

Brookstone® warrants this product against defects in materials and/or workmanship under normal use for a period of ONE (1) YEAR from the date of purchase by the original purchaser ("Warranty Period"). If a defect arises and a valid claim is received within the Warranty Period, at its option, Brookstone will either 1) repair the defect at no charge, using new or refurbished replacement parts, or 2) replace the product with a new product that is at least functionally equivalent to the original product, or 3) provide a store credit in the amount of the purchase price of the original product. A replacement product or part, including a user-installable part installed in accordance with instructions provided by Brookstone, assumes the remaining warranty of the original product. When a product or part is exchanged, any replacement item becomes your property and the replaced item becomes Brookstone's property. When a store credit is given, the original product must be returned to Brookstone and becomes Brookstone's property.

**Obtaining Service:** To obtain warranty service, call Brookstone Limited Warranty Service at 1-800-292-9819. Please be prepared to describe the product that needs service and the nature of the problem. A purchase receipt is required. All repairs and replacements must be authorized in advance. Service options, parts availability and response times will vary. You are responsible for delivery and the cost of delivery of the product or any parts to the authorized service center for replacement, per our instructions.

**Limits and Exclusions:** Coverage under this Limited Warranty is limited to the United States of America, including the District of Columbia and the U.S. Territories of Guam, Puerto Rico, and the U.S. Virgin Islands. This Limited Warranty applies only to products manufactured for Brookstone that can be identified by the "Brookstone" trademark, trade name, or logo affixed to them or their packaging. The Limited Warranty does not apply to any non-Brookstone products. Manufacturers or

suppliers other than Brookstone may provide their own warranties to the purchaser, but Brookstone, in so far as permitted by law, provides these products "as is." This warranty does not apply to: a) damage caused by failure to follow instructions relating to product's use or the installation of components; b) damage caused by accident, abuse, misuse, fire, floods, earthquake or other external causes; c) damage caused by service performed by anyone who is not a representative of Brookstone; d) accessories used in conjunction with a covered product; e) a product or part that has been modified to alter functionality or capability; f) items intended to be periodically replaced by the purchaser during the normal life of the product including, without limitation, batteries or light bulbs; g) any product sold "as is" including, without limitation, floor demonstration models and refurbished items; or h) a product that is used commercially or for a commercial purpose.

**BROOKSTONE SHALL NOT BE LIABLE FOR INCIDENTAL OR CONSEQUENTIAL DAMAGES RESULTING FROM THE USE OF THIS PRODUCT, OR ARISING OUT OF ANY BREACH OF THIS WARRANTY. TO THE EXTENT PERMITTED BY APPLICABLE LAW, BROOKSTONE DISCLAIMS ANY AND ALL STATUTORY OR IMPLIED WARRANTIES, INCLUDING, WITHOUT LIMITATION, WARRANTIES OF MERCHANTABILITY, FITNESS FOR A PARTICULAR PURPOSE AND WARRANTIES AGAINST HIDDEN OR LATENT DEFECTS. IF BROOKSTONE CANNOT LAWFULLY DISCLAIM STATUTORY OR IMPLIED WARRANTIES, THEN TO THE EXTENT PERMITTED BY LAW, ALL SUCH WARRANTIES SHALL BE LIMITED IN DURATION TO THE DURATION OF THIS EXPRESS WARRANTY.**

Some states disallow the exclusion or limitation of incidental or consequential damages or how long an implied warranty lasts, so the above exclusions or limitations may not apply to you. This warranty gives you specific legal rights and you may also have other rights, which vary from state to state.



Find thousands more  
great ideas online

**Brookstone®**

317879

Merrimack, New Hampshire, USA 03054 • 800-846-3000 • Brookstone.com