



Brookstone®

Stretch Vibration Massager
Pro

FOR ADULT USE ONLY

TABLE OF CONTENTS

Cautions and Warnings	1
Battery Precautions	5
FCC Information	6
Location of Parts and Controls	7
Inserting and Activating the Batteries	8
Operation.....	8
Troubleshooting	9
Care and Maintenance.....	9
Specifications.....	10
Warranty.....	12

This massager is intended for household use only.

SAVE THESE INSTRUCTIONS

IMPORTANT SAFETY INSTRUCTIONS

All of the safety and operating instructions should be read, adhered to and followed before using this massager.

 **DANGER** – To reduce the risk of electric shock:

1. Do not reach for an appliance that has fallen into water.
2. Do not use while bathing or in a shower.
3. Do not place or store appliance where it can fall or be pulled into a tub or sink. Do not place in or drop into water or other liquid.
4. If liquid is accidentally spilled onto the massager, turn off immediately.
5. Do not use wet hands to insert or remove the batteries.
6. Do not operate during a lightning storm.
7. Always remember to turn off the power switch after use.
8. Do not operate the massager if the battery wires are damaged or loose.

⚠ WARNING – To reduce the risk of burns, fire, electric shock or injury to persons:

1. This massager should never be left unattended while turned on. Turn off when not in use.
2. Do not operate under a blanket or pillow. Excessive heating can occur and cause fire, electric shock or injury to persons.
3. This massager is intended for adult use only. Close supervision is necessary when this massager is used near children.
4. Close supervision is necessary when this massager is used by, on or near invalids or disabled persons.
5. Use this massager only for its intended use as described in this manual. Do not use attachments not recommended by Brookstone.
6. Never operate this massager if it has a damaged battery wire or battery case, if it is not working properly, if it has been dropped or damaged, or dropped into water. Contact Brookstone Customer Service at 800-292-9819.
7. Do not move or carry this massager by the battery wires or use battery wires as a handle.
8. Keep the batteries away from heated surfaces.
9. Never drop or insert any object into any opening.
10. Do not use outdoors.
11. Do not operate where aerosol (spray) products are being used or where oxygen is being administered.
12. To turn off, press the Power button.
13. Do not use over insensitive skin areas or in the presence of poor circulation.
14. Never use pins or other metallic fasteners with this massager.
15. Never remove the cover from this massager. Do not use the massager when the upholstery is ripped, torn, or removed. This may cause injury or malfunction. Carefully examine the covering before each use. Call for service if the covering shows any sign of deterioration, such as blistering, peeling, cracking, or ripping.
16. Keep dry - do not wet. Do not operate in a wet or moist condition. Do not use the massager when your body is wet. Do not operate this massager with wet hands.
17. This massager is not intended for use by persons with reduced physical, sensory or mental capabilities, or lack of experience and knowledge, unless they have been given supervision or instruction concerning use of this massager by a person responsible for their safety.
18. Children should be supervised to ensure that they do not play with this massager.
19. Any individual who may be pregnant, or recently gave birth, has a heart condition, or a pacemaker, suffers from diabetes or other sensory impairment, phlebitis and/or thrombosis, joint dysfunction, inflammation or injuries, weak bones, osteoporosis, a high fever, an abnormal or curved spine, is at an increased risk of developing blood clots, has pins/screws/artificial joints or other medical devices implanted in his/her body, is being treated for a medical condition or physical injury or is under a doctor's care should consult with a medical professional before using this massager.

20. This product is not intended for self-treatment of conditions that should be managed by a qualified healthcare provider.
21. Consult your physician before using this massager.
22. This massager is designed as a non-professional massager to soothe tired and aching muscles. It is not intended to be a substitute for medical attention. If your ailments and symptoms persist or worsen after use, contact your physician immediately.
23. Do not use this massager if you are not feeling well.
24. Stop operation immediately if you experience any discomfort.
25. Do not fall asleep during the massage session.
26. Do not operate after taking pain killers, sedatives or alcohol.
27. Do not use this massager in combination with other therapeutic equipment or electric blanket, etc., as this may result in ineffectiveness or injury.
28. Do not stand on this massager.
29. Do not disassemble any part of the massager. Touching the internal components may result in malfunction or electric shock.
30. The massager must only be professionally serviced or repaired. Do not attempt to disassemble or repair the massager yourself.
31. Do not operate for more than 20 continuous minutes. Turn off the massager and allow it to rest (cool) for 40 minutes before re-using. This will prolong the life of the massager.
32. Never use the massager on open skin eruptions, swollen or inflamed areas.
33. Do not apply massager directly on the head, elbow or knee joints, torso,

abdomen, face or throat, as this may result in ineffectiveness or injury.

34. Do not expose to humidity, dust, or operating temperatures outside the range of 32° to 113° F (0° to 45° C).
35. For maximum product life, do not drop, throw, or crush the massager.
36. Remove the batteries when not in use.
37. Do not use massager in close proximity to loose clothing or jewelry.
38. Keep long hair away from massager while in use.

BATTERY PRECAUTIONS

- Dispose of used batteries properly. Do not dispose of batteries in a fire.
- Do not leave the batteries where a child or pet could play with or swallow them. If the batteries are swallowed, contact a physician immediately.
- The batteries may explode if mistreated. Do not attempt to recharge or disassemble the batteries.
- Use only fresh batteries of the required size and type. Do not mix old and new batteries, different types of batteries, or rechargeable batteries of different capacities.

FCC INFORMATION

Caution: Changes or modifications not expressly approved by the party responsible for compliance could void the user's authority to operate the equipment.

This equipment has been tested and found to comply with the limits for a Class B Digital Device, pursuant to Part 15 of the FCC Rules. These limits are designed to provide reasonable protection against harmful interference in a residential installation. This equipment generates, uses, and can radiate radio frequency energy and, if not installed and used in accordance with the instructions, may cause harmful interference to radio communications. However, there is no guarantee that interference will not occur in a particular installation.

If this equipment does cause harmful interference to radio or television reception, which can be determined by turning the equipment off and on, the user is encouraged to try to correct the interference by one or more of the following measures:

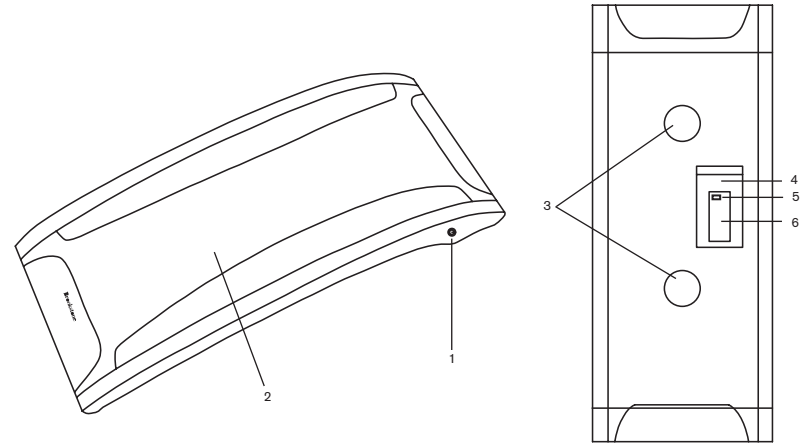
- Reorient or relocate the receiving antenna.
- Increase the distance between the equipment and receiver.
- Connect the equipment to an outlet on a circuit different from that to which the receiver is connected.
- Consult the dealer or an experienced radio/TV technician for help.

This equipment complies with part 15 of the FCC Rules. Operation is subject to the following two conditions:

1. This equipment may not cause harmful interference.
2. This equipment must accept any interference received, including interference that may cause undesired operation.

LOCATION OF PARTS AND CONTROLS

1. Power Button
2. Massage Nodes
3. Vibration Motors
4. Battery Pocket
5. Battery Activation Switch
6. Battery Case



INSERTING AND ACTIVATING THE BATTERIES

1. Remove the Battery Case from the Battery Pocket.
2. Using a screwdriver, remove the screw from the back of the Battery Case and slide the back off of the Battery Case.
3. Insert two AA batteries (included), following the polarity indicators.
4. Slide the back onto the Battery Case, pressing to insert the tab into the slot at the bottom of the case.
5. Slide the Battery Activation Switch to the ON position.
6. Reinsert the Battery Case into the Battery Pocket.

OPERATION

1. Follow the above instructions to insert and activate the batteries.
2. Position the massager where you can lie on it or press against it comfortably.
3. The massager can be used with or without vibration. For vibration, press the Power Button to turn on the massager at low vibration intensity. Press again for high vibration intensity.
4. Press the Power Button a third time to turn off the massager.

TROUBLESHOOTING

PROBLEM	POSSIBLE CAUSE/ACTION
The product does not work	Ensure that the batteries are not depleted. Ensure that the batteries have been inserted in the correct polarity position (positive and negative ends correctly aligned). Press the Power Button. Pressing once turns the massager on low vibration intensity. Pressing a second time turns on high vibration intensity. Pressing a third time turns the massager off.
There is a motor sound during operation	The motor is a mechanical mechanism and makes a humming sound during operation. This is normal.

CARE AND MAINTENANCE

- Spot clean only.
- Wipe dust and dirt off the massager with a dry, soft cloth after use.
- Keep the massager clean and away from places of high humidity.
- Remove the batteries when not in use.

SPECIFICATIONS

Power Supply.....AA Batteries (2)
Voltage.....3V
Weight.....Approx. 1.98 lbs (0.9 kg)
Dimensions..... Approx. 21.7 x 9.2 x 3.2 in. (55.1 x 23.4 x 8.1 cm)

NOTES

ONE (1) YEAR LIMITED WARRANTY

Brookstone® warrants this product against defects in materials and/or workmanship under normal use for a period of ONE (1) YEAR from the date of purchase by the original purchaser ("Warranty Period"). If a defect arises and a valid claim is received within the Warranty Period, at its option, Brookstone will either 1) repair the defect at no charge, using new or refurbished replacement parts, or 2) replace the product with a new product that is at least functionally equivalent to the original product, or 3) if the product was purchased through Brookstone, provide Brookstone store credit in the amount of the purchase price of the original product. A replacement product or part, including a user-installable part installed in accordance with instructions provided by Brookstone, assumes the remaining warranty of the original product. When a product or part is exchanged, any replacement item becomes your property and the replaced item becomes Brookstone's property. When a store credit is given, the original product must be returned to Brookstone and becomes Brookstone's property.

Obtaining Service: To obtain warranty service, call Brookstone Limited Warranty Service at 1-800-292-9819. Please be prepared to describe the product that needs service and the nature of the problem. A purchase receipt is required. All repairs and replacements must be authorized in advance. Service options, parts availability and response times will vary. You are responsible for delivery and the cost of delivery of the product or any parts to the authorized service center for replacement, per our instructions.

Limits and Exclusions: Coverage under this Limited Warranty is limited to the United States of America, including the District of Columbia and the U.S. Territories of Guam, Puerto Rico, and the U.S. Virgin Islands. This Limited Warranty applies only to products manufactured for Brookstone that can be identified by the "Brookstone" trademark, trade name, or logo affixed to them or their packaging. The Limited Warranty does not apply to any non-Brookstone products. Manufacturers or

suppliers other than Brookstone may provide their own warranties to the purchaser, but Brookstone, in so far as permitted by law, provides these products "as is." This warranty does not apply to: a) damage caused by failure to follow instructions relating to product's use or the installation of components; b) damage caused by accident, abuse, misuse, fire, floods, earthquake or other external causes; c) damage caused by service performed by anyone who is not a representative of Brookstone; d) accessories used in conjunction with a covered product; e) a product or part that has been modified to alter functionality or capability; f) items intended to be periodically replaced by the purchaser during the normal life of the product including, without limitation, batteries or light bulbs; g) any product sold "as is" including, without limitation, floor demonstration models and refurbished items; or h) a product that is used commercially or for a commercial purpose.

BROOKSTONE SHALL NOT BE LIABLE FOR INCIDENTAL OR CONSEQUENTIAL DAMAGES RESULTING FROM THE USE OF THIS PRODUCT, OR ARISING OUT OF ANY BREACH OF THIS WARRANTY. TO THE EXTENT PERMITTED BY APPLICABLE LAW, BROOKSTONE DISCLAIMS ANY AND ALL STATUTORY OR IMPLIED WARRANTIES, INCLUDING, WITHOUT LIMITATION, WARRANTIES OF MERCHANTABILITY, FITNESS FOR A PARTICULAR PURPOSE AND WARRANTIES AGAINST HIDDEN OR LATENT DEFECTS. IF BROOKSTONE CANNOT LAWFULLY DISCLAIM STATUTORY OR IMPLIED WARRANTIES, THEN TO THE EXTENT PERMITTED BY LAW, ALL SUCH WARRANTIES SHALL BE LIMITED IN DURATION TO THE DURATION OF THIS EXPRESS WARRANTY.

Some states disallow the exclusion or limitation of incidental or consequential damages or how long an implied warranty lasts, so the above exclusions or limitations may not apply to you. This warranty gives you specific legal rights and you may also have other rights, which vary from state to state.

Find thousands more
great ideas online

Brookstone®

327249

© Brookstone 2018

Brookstone.com • 1-800-846-3000
1 Innovation Way, Merrimack, New Hampshire 03054