

Brookstone®

Ultra Coin Sorter

MOTORIZED TO QUICKLY ORGANIZE LOOSE CHANGE

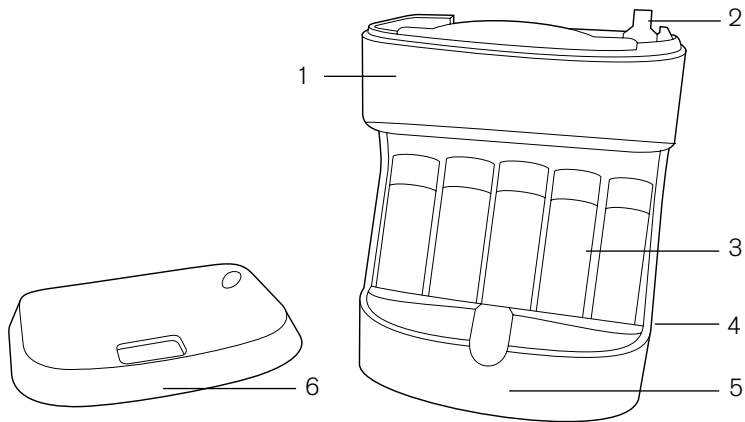


TABLE OF CONTENTS

Location of Parts	2-3
Installing the Batteries	4
Inserting the Coin Tubes.....	5
Sorting Your Coins.....	6
Troubleshooting.....	7
Battery Precautions.....	8
Warranty	9-10

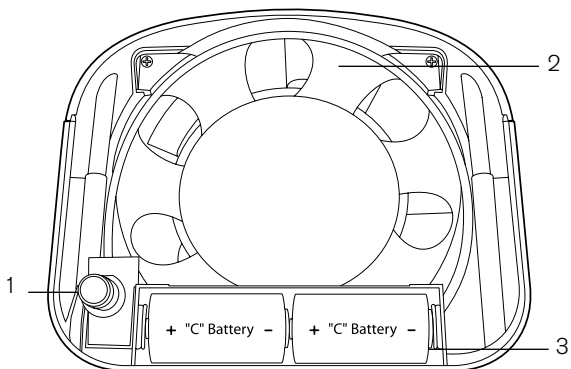
LOCATION OF PARTS

1. Main Housing
2. Power Button
3. Coin Tubes
4. Overflow Tray
5. Coin Tube Drawer
6. Coin Funnel



LOCATION OF PARTS

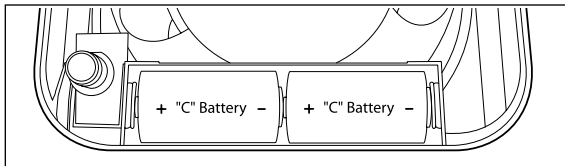
1. Power Button
2. Coin Sorting Wheel
3. Battery Compartment



INSTALLING THE BATTERIES

1. Lift the COIN FUNNEL off the MAIN HOUSING to access the BATTERY COMPARTMENT (see below).
2. Insert 2 C batteries according to the polarity indicators inside the compartment.
3. Replace the COIN FUNNEL on top of the MAIN HOUSING.

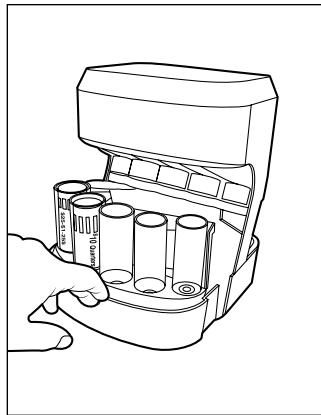
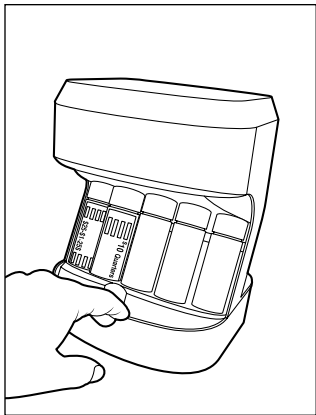
Note: Incorrectly installed batteries will cause coins to mis-sort!



INSERTING COIN TUBES

1. Pull COIN DRAWER out and insert 5 paper coin wrappers into the correct COIN TUBES, according to the coin size (see at right).
2. It is recommended that you use shaped paper coin wrappers (not flat) to ensure smooth operation of the coin sorter.

Note: Coin Sorter may be used without wrappers.



SORTING YOUR COINS

Coin Sorter will sort pennies, nickels, dimes, quarters and dollar coins.

1. Place the Coin Sorter on a level surface.
2. Press the POWER BUTTON.
3. Gradually pour up to 20 coins at a time into the COIN FUNNEL.
4. As COIN TUBES fill, extra coins will begin to spill into the OVERFLOW TRAY.
5. Press the POWER BUTTON to turn unit off and remove filled coin wrappers.
6. Reload the empty COIN TUBES with new paper wrappers and salvage the extra coins from the OVERFLOW TRAY.
7. Continue sorting!

TROUBLESHOOTING

PROBLEM

SOLUTION

Motor does not run when POWER BUTTON is pressed.

Check batteries for proper installation and remaining power.

Coins do not sort properly

Older, more worn coins may not sort properly due to the wear. Remove coins and try again.
Check to make sure the coin sorter is on a level surface.

All coins are sorting into the dollar COIN TUBE

Check to make sure batteries are inserted into the BATTERY COMPARTMENT properly. Remove and re-insert correctly.

Coins are spilling over into the OVERFLOW TRAY before COIN TUBES are full.

Ensure COIN DRAWER is in operating position and pushed all the way back into the coin sorter.

Check paper coin wrappers to make sure they aren't folded or bent.

Make sure the paper coin wrappers are pushed all the way into the COIN TUBES.

BATTERY PRECAUTIONS

- Dispose of the old batteries properly. Do not dispose of the old batteries in a fire.
- Do not leave the batteries where a child or pet could play with or swallow them. If the batteries are swallowed, contact a physician immediately.
- The batteries may explode if mistreated. Do not attempt to recharge or disassemble the batteries.
- Use only fresh batteries of the required size and type. Do not mix old and new batteries, different types of batteries, or rechargeable batteries of different capacities.

IMPORTANT SAFETY INSTRUCTIONS

All the safety and operating instructions should be read, adhered to and followed before the unit is operated.

SAVE THESE INSTRUCTIONS

ONE (1) YEAR LIMITED WARRANTY

Brookstone® warrants this product against defects in materials and/or workmanship under normal use for a period of ONE (1) YEAR from the date of purchase by the original purchaser ("Warranty Period"). If a defect arises and a valid claim is received within the Warranty Period, at its option, Brookstone will either 1) repair the defect at no charge, using new or refurbished replacement parts, or 2) replace the product with a new product that is at least functionally equivalent to the original product, or 3) provide a store credit in the amount of the purchase price of the original product. A replacement product or part, including a user-installable part installed in accordance with instructions provided by Brookstone, assumes the remaining warranty of the original product. When a product or part is exchanged, any replacement item becomes your property and the replaced item becomes Brookstone's property. When a store credit is given, the original product must be returned to Brookstone and becomes Brookstone's property.

Obtaining Service: To obtain warranty service, call Brookstone Limited Warranty Service at 1-800-292-9819. Please be prepared to describe the product that needs service and the nature of the problem. A purchase receipt is required. All repairs and replacements must be authorized in advance. Service options, parts availability and response times will vary. You are responsible for delivery and the cost of delivery of the product or any parts to the authorized service center for replacement, per our instructions.

Limits and Exclusions: Coverage under this Limited Warranty is limited to the United States of America, including the District of Columbia and the U.S. Territories of Guam, Puerto Rico, and the U.S. Virgin Islands. This Limited Warranty applies only to products manufactured for Brookstone that can be identified by the "Brookstone" trademark, trade name, or logo affixed to them or their packaging. The Limited Warranty does not apply to any non-Brookstone products. Manufacturers or

suppliers other than Brookstone may provide their own warranties to the purchaser, but Brookstone, in so far as permitted by law, provides these products “as is.” This warranty does not apply to: a) damage caused by failure to follow instructions relating to product’s use or the installation of components; b) damage caused by accident, abuse, misuse, fire, floods, earthquake or other external causes; c) damage caused by service performed by anyone who is not a representative of Brookstone; d) accessories used in conjunction with a covered product; e) a product or part that has been modified to alter functionality or capability; f) items intended to be periodically replaced by the purchaser during the normal life of the product including, without limitation, batteries or light bulbs; g) any product sold “as is” including, without limitation, floor demonstration models and refurbished items; or h) a product that is used commercially or for a commercial purpose.

BROOKSTONE SHALL NOT BE LIABLE FOR INCIDENTAL OR CONSEQUENTIAL DAMAGES RESULTING FROM THE USE OF THIS PRODUCT, OR ARISING OUT OF ANY BREACH OF THIS WARRANTY. TO THE EXTENT PERMITTED BY APPLICABLE LAW, BROOKSTONE DISCLAIMS ANY AND ALL STATUTORY OR IMPLIED WARRANTIES, INCLUDING, WITHOUT LIMITATION, WARRANTIES OF MERCHANTABILITY, FITNESS FOR A PARTICULAR PURPOSE AND WARRANTIES AGAINST HIDDEN OR LATENT DEFECTS. IF BROOKSTONE CANNOT LAWFULLY DISCLAIM STATUTORY OR IMPLIED WARRANTIES, THEN TO THE EXTENT PERMITTED BY LAW, ALL SUCH WARRANTIES SHALL BE LIMITED IN DURATION TO THE DURATION OF THIS EXPRESS WARRANTY.

Some states disallow the exclusion or limitation of incidental or consequential damages or how long an implied warranty lasts, so the above exclusions or limitations may not apply to you. This warranty gives you specific legal rights and you may also have other rights, which vary from state to state.

Brookstone®

A WORLD OF INNOVATION

Since 1965, people have come to Brookstone to see what's new, discover smart solutions to everyday problems—and have some fun. At Brookstone, we believe there's always a better way to do things. And we created a world of innovation to prove it.

Merrimack, New Hampshire USA 03054 ▪ 800-846-3000 ▪ www.Brookstone.com

584599