

Brookstone®

motorized BBQ grill brush



BB
BB

motorized BBQ grill brush

BETTER BY BROOKSTONE®

We believe that exacting standards are the core of our success.

The Motorized BBQ Grill Brush has been thoroughly tested to be certain it meets our rigorous quality control criteria.

Our full-sized, ergonomic Motorized BBQ Grill Brush has rotating bristles that strip away cooked-on food residue with ease and a built-in scraper for extra-tough buildup. With push-button control, it's the easiest way to keep your grill looking like new!

BATTERY PRECAUTIONS

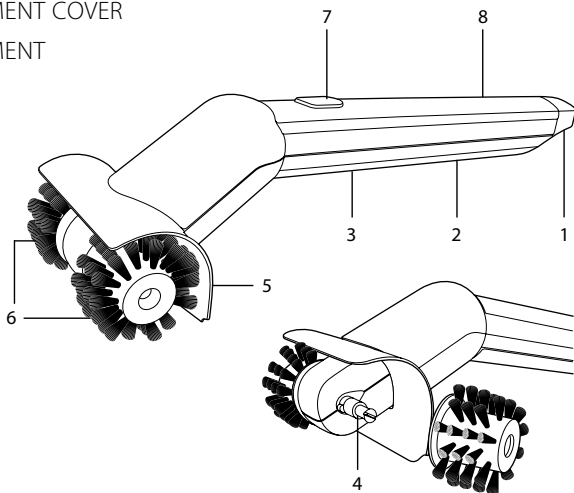
- Dispose of the old batteries properly. Do not dispose of the old batteries in a fire.
- Do not leave the batteries where a child or pet could play with or swallow them. If the batteries are swallowed, contact a physician immediately.
- The batteries may explode if mistreated. Do not attempt to recharge or disassemble the batteries.
- Use only fresh batteries of the required size and type. Do not mix old and new batteries, different types of batteries, or rechargeable batteries of different capacities.

WARNING

- The unit has sharp edges. Be cautious when using and keep away from children.
- Do not place the unit in a barbecue or oven, or on an open fire.
- Discontinue use if the unit's HANDLE becomes hot.
- Ensure the ROTATING BRUSHES are securely in place prior to use.
- The unit is not weather-resistant. Appropriate care should be taken when using and storing the unit.

LOCATION OF CONTROLS

1. HANGING HOLE
2. BATTERY COMPARTMENT COVER
3. BATTERY COMPARTMENT COVER SCREW
4. SHAFT
5. SCRAPER
6. ROTATING BRUSHES
7. POWER
8. HANDLE



GRILL BRUSH OPERATION

INSERTING THE BATTERIES

1. Using a small flat-head or Phillips screwdriver, remove the BATTERY COMPARTMENT COVER SCREW.
2. Remove the BATTERY COMPARTMENT COVER.
3. Insert four C batteries (not included) according to polarity indicators inside the compartment.
4. Replace the BATTERY COMPARTMENT COVER.
5. Replace the BATTERY COMPARTMENT COVER SCREW and tighten.

USING THE GRILL BRUSH

Refer to your grill's user manual for cleaning instructions before using the grill brush.

1. Turn your grill off and open its lid.
2. Press POWER to turn the unit on.
3. Move the ROTATING BRUSHES over the grill grates.
Note: Use the SCRAPER to remove tough buildup.
4. Press POWER to turn the unit off.

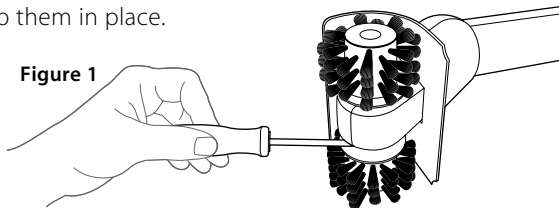
Note: Use the HANGING HOLE to store the unit when not in use.

CARE AND MAINTENANCE

CLEANING THE ROTATING BRUSH

1. Insert a small screwdriver between the brush heads and the housing. Refer to Figure 1.
2. Lift the screwdriver up to remove each ROTATING BRUSH. Refer to Figure 1.
3. Place the ROTATING BRUSHES under warm, running water.
4. Allow the ROTATING BRUSHES to air dry completely.
5. When dry, slide the ROTATING BRUSHES over each SHAFT and snap them in place.

Note: Do not put ROTATING BRUSHES in dishwasher.



CARE AND MAINTENANCE (CONT.)

CLEANING THE HANDLE

Wipe the HANDLE with a damp cloth. Do not allow the HANDLE to get wet.

CLEANING THE SCRAPER

Wash the SCRAPER in warm soapy water. Dry thoroughly before the next use. Do not allow the HANDLE to get wet.

ONE (1) YEAR LIMITED WARRANTY

Brookstone warrants this product against defects in materials and/or workmanship under normal use for a period of ONE (1) YEAR from the date of purchase by the original purchaser ("Warranty Period"). If a defect arises and a valid claim is received within the Warranty Period, at its option, Brookstone will either 1) repair the defect at no charge, using new or refurbished replacement parts, or 2) replace the product with a new product that is at least functionally equivalent to the original product, or 3) provide a store credit in the amount of the purchase price of the original product. A replacement product or part, including a user-installable part installed in accordance with instructions provided by Brookstone, assumes the remaining warranty of the original product. When a product or part is exchanged, any replacement item becomes your property and the replaced item becomes Brookstone's property. When a store credit is given, the original product must be returned to Brookstone and becomes Brookstone's property.

Obtaining Service: To obtain warranty service, call Brookstone Limited Warranty Service at 1-800-292-9819. Please be prepared to describe the product that needs service and the nature of the problem. A purchase receipt is required. All repairs and replacements must be authorized in advance. Service options, parts availability and response times will vary. You are responsible for delivery and the cost of delivery of the product or any parts to the authorized service center for replacement, per our instructions.

Limits and Exclusions: Coverage under this Limited Warranty is limited to the United States of America, including the District of Columbia and the U.S. Territories of Guam, Puerto Rico, and U.S. Virgin Islands.

This Limited Warranty applies only to products manufactured for Brookstone that can be identified by the "Brookstone" trademark, trade name, or logo affixed to them or their packaging. The Limited Warranty does not apply to any non-Brookstone products. Manufacturers or suppliers other than Brookstone may provide their own warranties to the purchaser, but Brookstone, in so far as permitted by law, provides these products "as is."



This warranty does not apply to: a) damage caused by failure to follow instructions relating to product's use or the installation of components; b) damage caused by accident, abuse, misuse, fire, floods, earthquake or other external causes; c) damage caused by service performed by anyone who is not a representative of Brookstone; d) accessories used in conjunction with a covered product; e) a product or part that has been modified to alter functionality or capability; f) items intended to be periodically replaced by the purchaser during the normal life of the product including, without limitation, batteries or light bulbs; or g) any and all pre-existing conditions that occur prior to the effective date of this Limited Warranty relating to any product sold "as is" including, without limitation, floor demonstration models and refurbished items.

BROOKSTONE SHALL NOT BE LIABLE FOR INCIDENTAL OR CONSEQUENTIAL DAMAGES RESULTING FROM THE USE OF THIS PRODUCT, OR ARISING OUT OF ANY BREACH OF THIS WARRANTY. TO THE EXTENT PERMITTED BY APPLICABLE LAW, BROOKSTONE DISCLAIMS ANY AND ALL STATUTORY OR IMPLIED WARRANTIES, INCLUDING, WITHOUT LIMITATION, WARRANTIES OF MERCHANTABILITY, FITNESS FOR A PARTICULAR PURPOSE AND WARRANTIES AGAINST HIDDEN OR LATENT DEFECTS. IF BROOKSTONE CANNOT LAWFULLY DISCLAIM STATUTORY OR IMPLIED WARRANTIES, THEN TO THE EXTENT PERMITTED BY LAW, ALL SUCH WARRANTIES SHALL BE LIMITED IN DURATION TO THE DURATION OF THIS EXPRESS WARRANTY.

Some states disallow the exclusion or limitation of incidental or consequential damages or how long an implied warranty lasts, so the above exclusions or limitations may not apply to you. This warranty gives you specific legal rights and you may also have other rights, which vary from state to state.



BETTER BY BROOKSTONE® WE CREATE PRODUCTS TO MAKE LIFE BETTER. THROUGH INNOVATIVE DESIGN, BEST-IN-CLASS PRODUCT SELECTION AND AN UNYIELDING COMMITMENT TO EXCELLENCE, WE MAXIMIZE THE QUALITY OF OUR PRODUCTS—AND HELP YOU ENHANCE THE QUALITY OF YOUR LIFE.

Merrimack, New Hampshire 03054 • Customer Service 800-846-3000 • www.brookstone.com