

# Brookstone®

iCONVERT®

## Video Converter

PRESERVE FAMILY MOVIES AND MORE AS DIGITAL FILES



# TABLE OF CONTENTS

Cautions and Warnings .....	2-4
FCC Information .....	5
Location of Parts .....	6
Location of Controls .....	7
Connecting to a Video Recorder .....	8
Inserting and Removing a Memory Card .....	9
Using the Video Converter .....	9
To View Recordings that are Saved .....	10
Using the Video Recorder to Record TV Programs .....	11
View Saved Programs .....	12
Using the Software CD .....	13
Viewing Saved Programs on your Computer .....	13
Care and Maintenance .....	13
Specifications .....	14
Troubleshooting .....	15-16
Warranty .....	17-18

## CAUTION

- TO REDUCE THE RISK OF ELECTRIC SHOCK, DO NOT REMOVE COVER. THERE ARE NO SERVICEABLE PARTS INSIDE.
- TO REDUCE THE RISK OF FIRE OR ELECTRIC SHOCK, DO NOT EXPOSE THIS UNIT TO RAIN OR MOISTURE.



The lightning flash with arrow-head symbol within an equilateral triangle is intended to alert the user to the presence of uninsulated “dangerous voltage” within the unit’s enclosure that may be of sufficient magnitude to constitute a risk of electric shock.



The exclamation point within an equilateral triangle is intended to alert the user to the presence of important operating and maintenance (servicing) instructions in the literature accompanying the unit.

## IMPORTANT SAFETY INSTRUCTIONS

All the safety and operating instructions should be read, adhered to and followed before the unit is operated.

## SAVE THESE INSTRUCTIONS

## **DANGER**

To reduce the risk of electric shock, burns, fire or injury:

1. Do not use while bathing or in a shower.
2. Do not place or store unit where it can fall or be pulled into a tub or sink.
3. Do not place in, drop or submerge in water or other liquid.
4. Do not reach for unit that has fallen into water. Unplug it immediately.
5. Care should be taken so that objects do not fall and liquids are not spilled onto the unit.

## **WARNING**

1. Close supervision is necessary when this appliance/product is used by or near children or mentally disabled individuals.
2. Use this unit only for its intended use as described in this manual.
3. Unplug this unit during lightning storms or when unused for long periods of time.
4. Never drop or insert an object into any opening.
5. Protect the power cord from being walked on or pinched, particularly at plug outlets, convenience receptacles and the point where it exits the unit.
6. Do not allow cord to touch hot surfaces. Wrap cord loosely around the unit when storing.

7. The unit should be situated away from direct sunlight or heat sources such as radiators, electric heaters, heat registers, stoves, or other units (including amplifiers) that produce heat. Avoid placing on top of stereo equipment that radiates heat.
8. Never block the air openings of the unit with materials such as clothing, plastic bags or papers, or place it on a soft surface such as a bed or couch, where the air openings may be blocked.
9. Do not overload electrical outlet. Use only the power source as indicated.
10. Do not carry this unit by cord or use cord as handle.
11. Never operate this unit if it has a damaged cord or plug, if it is not working properly, or if it has been dropped or damaged, or dropped into water. If the unit's power supply cord or plug is damaged, do not attempt to fix it yourself.
12. To avoid the risk of electric shock, do not disassemble or attempt to repair the unit. Incorrect repair can cause risk of electric shock or injury to persons when unit is used.
13. Do not operate in the presence of explosive and/or flammable fumes.
14. Never remove the plug from the socket by pulling the power cord.

## FCC INFORMATION

This equipment has been tested and found to comply with the limits for a Class B Digital Device, pursuant to Part 15 of the FCC Rules. These limits are designed to provide reasonable protection against harmful interference in a residential installation. This equipment generates, uses, and can radiate radio frequency energy and, if not installed and used in accordance with the instructions, may cause harmful interference to radio communications. However, there is no guarantee that interference will not occur in a particular installation.

If this equipment does cause harmful interference to radio or television reception, which can be determined by turning the equipment off and on, the user is encouraged to try to correct the interference by one or more of the following measures:

- Reorient or relocate the receiving antenna.
- Increase the distance between the equipment and receiver.
- Connect the equipment to an outlet on a circuit different from that to which the receiver is connected.
- Consult the dealer or an experienced radio/TV technician for help.

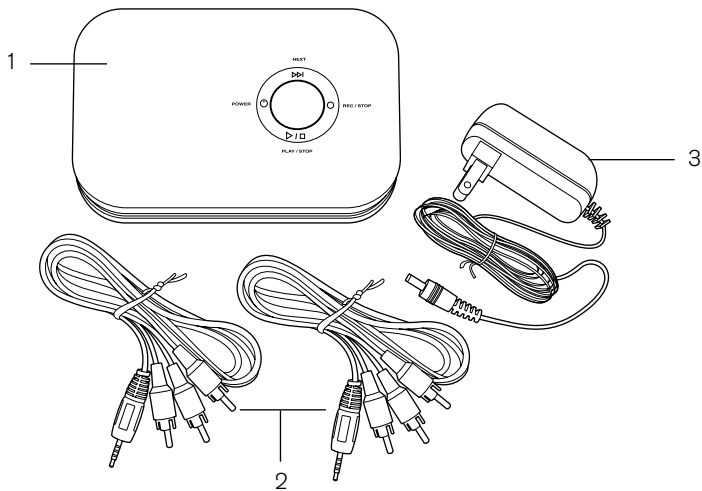
This equipment complies with part 15 of the FCC Rules. Operation is subject to the following two conditions:

1. This equipment may not cause harmful interference.
2. This equipment must accept any interference received, including interference that may cause undesired operation.

Modifications not authorized by the manufacturer may void the user's authority to operate this device.

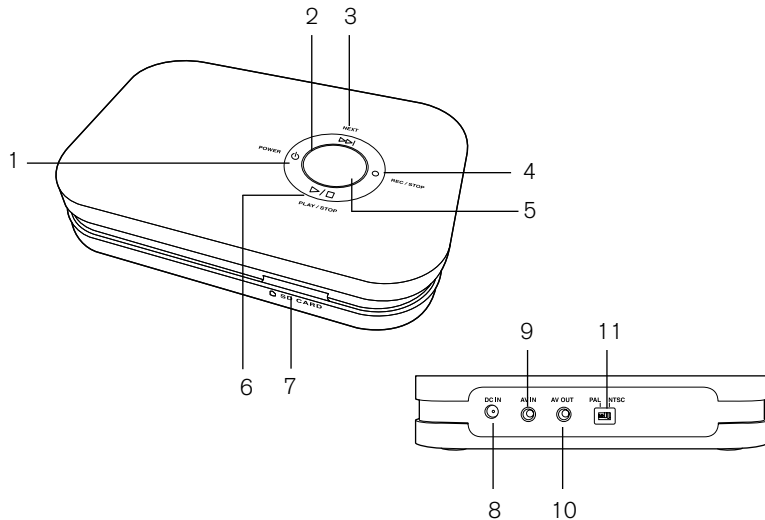
## LOCATION OF PARTS

1. Main Unit
2. AV Cable (2)
3. Power Adapter
4. Software CD (not shown)



## LOCATION OF CONTROLS

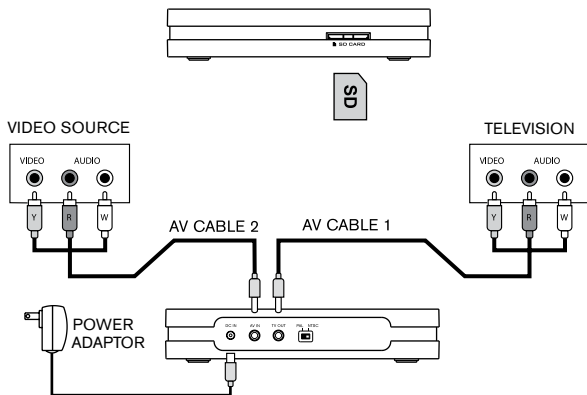
1. Power On/Off
2. Power Indicator (Blue LED)
3. Next
4. Record/Stop
5. Record Indicator (Red LED)
6. Play/Stop
7. SD Card Slot
8. DC Power Jack
9. AV In Jack
10. AV Out Jack
11. TV Out Mode



# OPERATION

## CONNECTING THE VIDEO CONVERTER

1. Connect the Video Converter and TV with AV CABLE 1 and then connect the Video Converter and video output with AV CABLE 2 (see below).



2. Plug POWER ADAPTOR to an outlet and DC IN jack.

## INSERTING AND REMOVING A MEMORY CARD

1. Insert SD card or SDHC card into the SD card slot face-up.
2. To remove the SD card, push it in until you hear a click, release the card, and the card will slide out enough for you to grasp and remove.

## USING THE VIDEO CONVERTER

1. Press POWER button to turn on the Video Converter and the Blue LED power indicator will illuminate.
2. Once the converter is on, the Video Converter's logo will appear on screen first, and then the video that you wish to record will appear.

**Note: Make sure your Beta/VHS/DVD player or analog composite device is powered on, as well as your television, before you start recording.**

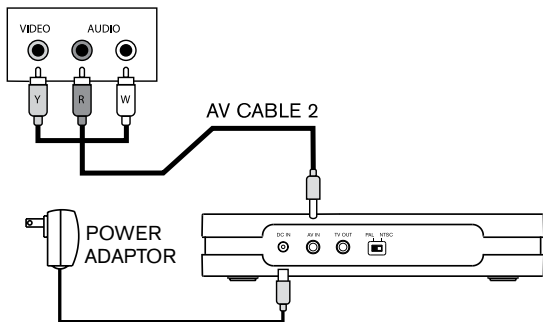
3. Press the REC/STOP button to start recording. The red LED record indicator will start blinking.
4. Press the REC/STOP button again to stop recording.

**Note: When recording continuously using SD card or SDHC card, a file will be saved every 4 hours. Saving times may vary depending on the speed and class of the memory card used. Built-in SD card slot supports SD and SDHC cards up to 32GB.**

## TO VIEW YOUR RECORDINGS THAT ARE SAVED

1. Press PLAY/STOP button to enter the playback mode.
2. Press PLAY/STOP button again to play the movie, the Blue LED power indicator will start blinking.
3. Press NEXT button to select a program you wish to view. Then press PLAY/STOP to play the selected recording.
4. Press PLAY/STOP button to stop viewing.

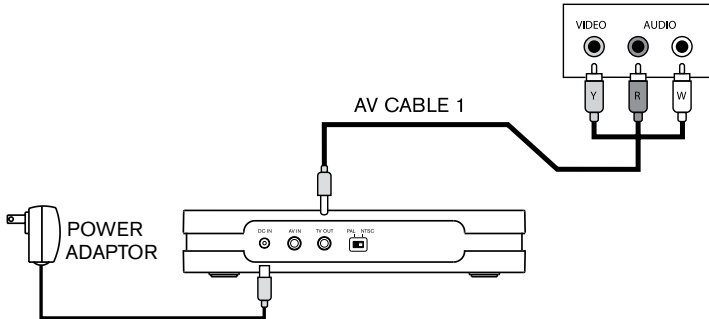
## USING THE VIDEO CONVERTER TO RECORD TV PROGRAMS



1. Connect AV CABLE 2 to the INPUT jack on the backside of the converter.
2. Then plug the colored prongs from AV CABLE 2 into the OUTPUT section on the TV.
3. Plug the AC/DC adapter to an outlet and the DC IN jack.
4. Insert Memory Card.
5. Press POWER button to turn on the Video Converter.
6. Turn the TV on and select the channel or program you wish to record.
7. Press REC/STOP button to start recording. The red LED record indicator will start blinking.
8. Press the REC/STOP button again to stop recording.

## VIEW SAVED PROGRAMS

1. Connect the Video Converter to the TV by plugging in AV CABLE 1 in to the output jack on the backside of the converter.
2. Plug the colored prongs from the AV CABLE 1 to the input section on the TV.



### Notes:

- Do not insert or remove the SD or SDHC cards while recording or playing a video.
- When using a high memory SD or SDHC cards, a lag time will occur when saving or viewing files.
- The recording file will not be saved if power cuts out during operation.
- Beware of the unit overheating if operating continually.
- DO NOT plug both TV INPUT and OUTPUT together from one TV set.

## USING THE SOFTWARE CD

Insert the ArcSoft® Medialmpression CD and install by selecting "Install Medialmpression".

**Note:** You must have Medialmpression in order to view, organize, and edit your recorded videos.

## VIEWING SAVED PROGRAMS ON YOUR COMPUTER

1. You will need to use a card reader or a device that can read the SD card when connected to the computer to play your videos.
2. Make sure software programs are installed before viewing videos on your computer. Refer to software section above for more information on installation.

**Note:** It will take longer for bigger files to load, so please expect a delay when viewing.

## CARE AND MAINTENANCE

- Dust Video Converter with a soft, dry cloth.
- Do not use water or any kind of liquid to clean the Video Converter.

## SPECIFICATIONS

Function:	AV Recording, AV Playing
Video Source:	PAL / NTSC
Record Straight from TV:	YES
TV-out:	PAL / NTSC
Output File Format:	ASF
Recording Resolution:	640x480
Recording Quality:	Normal
Video Recording Rate:	Up to 30fps@VGA with audio
Internal Nand Flash Memory:	16MB
External Memory Slot:	SD/SDHC card up to 32GB
Indicator LED:	Power/Recording/Playing
DC Power Port:	YES
Video Line-in Jack:	YES, 3.5mm Jack input
TV-out Jack:	YES
Control Key:	Keys (POWER, REC/STOP, PLAY/STOP, NEXT)
Dimension (W x L x H):	4.2" x 6.3" x 1.2"
Weight:	9.3 oz.

## TROUBLESHOOTING

PROBLEM	POSSIBLE CAUSE	SOLUTION
Showing "No Space" on monitor.	SD/SDHC card is not inserted.	Insert a SD/SDHC card.
	SD/SDHC card is not formatted.	Format the SD/SDHC card.
No video is saved when pressing the record button.	SD/SDHC card is write protected.	Unlock the write protect on the SD/SDHC card.
	No video signal input.	Check and plug the video-in socket.
Monitor is not displaying normally.	The unit is not on the correct NTSC/PAL format.	Switch the format to the correct one for your system.
	TV INPUT and OUTPUT are plugged into the same place.	Plug into different devices, or only use one of INPUT and OUTPUT on the device at a time.

## TROUBLESHOOTING

PROBLEM	POSSIBLE CAUSE	SOLUTION
Cannot play the video on the computer.	Appropriate software is not on the computer.	Install the software that comes with the CD—Arcsoft Medialmpression. Install Medialmpression onto the computer. Compatible with Windows XP and Vista® only.

Windows and Vista are registered trademarks of Microsoft Corporation.

# ONE (1) YEAR LIMITED WARRANTY

Brookstone® warrants this product against defects in materials and/or workmanship under normal use for a period of ONE (1) YEAR from the date of purchase by the original purchaser ("Warranty Period"). If a defect arises and a valid claim is received within the Warranty Period, at its option, Brookstone will either 1) repair the defect at no charge, using new or refurbished replacement parts, or 2) replace the product with a new product that is at least functionally equivalent to the original product, or 3) provide a store credit in the amount of the purchase price of the original product. A replacement product or part, including a user-installable part installed in accordance with instructions provided by Brookstone, assumes the remaining warranty of the original product. When a product or part is exchanged, any replacement item becomes your property and the replaced item becomes Brookstone's property. When a store credit is given, the original product must be returned to Brookstone and becomes Brookstone's property.

**Obtaining Service:** To obtain warranty service, call Brookstone Limited Warranty Service at 1-800-292-9819. Please be prepared to describe the product that needs service and the nature of the problem. A purchase receipt is required. All repairs and replacements must be authorized in advance. Service options, parts availability and response times will vary. You are responsible for delivery and the cost of delivery of the product or any parts to the authorized service center for replacement, per our instructions.

**Limits and Exclusions:** Coverage under this Limited Warranty is limited to the United States of America, including the District of Columbia and the U.S. Territories of Guam, Puerto Rico, and the U.S. Virgin Islands. This Limited Warranty applies only to products manufactured for Brookstone that can be identified by the "Brookstone" trademark, trade name, or logo affixed to them or their packaging. The Limited Warranty does not apply to any non-Brookstone products. Manufacturers or suppliers other than Brookstone may provide their own warranties to the purchaser,

but Brookstone, in so far as permitted by law, provides these products "as is." This warranty does not apply to: a) damage caused by failure to follow instructions relating to product's use or the installation of components; b) damage caused by accident, abuse, misuse, fire, floods, earthquake or other external causes; c) damage caused by service performed by anyone who is not a representative of Brookstone; d) accessories used in conjunction with a covered product; e) a product or part that has been modified to alter functionality or capability; f) items intended to be periodically replaced by the purchaser during the normal life of the product including, without limitation, batteries or light bulbs; g) any product sold "as is" including, without limitation, floor demonstration models and refurbished items; or h) a product that is used commercially or for a commercial purpose.

**BROOKSTONE SHALL NOT BE LIABLE FOR INCIDENTAL OR CONSEQUENTIAL DAMAGES RESULTING FROM THE USE OF THIS PRODUCT, OR ARISING OUT OF ANY BREACH OF THIS WARRANTY. TO THE EXTENT PERMITTED BY APPLICABLE LAW, BROOKSTONE DISCLAIMS ANY AND ALL STATUTORY OR IMPLIED WARRANTIES, INCLUDING, WITHOUT LIMITATION, WARRANTIES OF MERCHANTABILITY, FITNESS FOR A PARTICULAR PURPOSE AND WARRANTIES AGAINST HIDDEN OR LATENT DEFECTS. IF BROOKSTONE CANNOT LAWFULLY DISCLAIM STATUTORY OR IMPLIED WARRANTIES, THEN TO THE EXTENT PERMITTED BY LAW, ALL SUCH WARRANTIES SHALL BE LIMITED IN DURATION TO THE DURATION OF THIS EXPRESS WARRANTY.**

Some states disallow the exclusion or limitation of incidental or consequential damages or how long an implied warranty lasts, so the above exclusions or limitations may not apply to you. This warranty gives you specific legal rights and you may also have other rights, which vary from state to state.

# Brookstone®

A WORLD OF INNOVATION

Since 1965, people have come to Brookstone to see what's new, discover smart solutions to everyday problems—and have some fun. At Brookstone, we believe there's always a better way to do things. And we created a world of innovation to prove it.

Merrimack, New Hampshire USA 03054 • 800-846-3000 • [www.Brookstone.com](http://www.Brookstone.com)

629220